

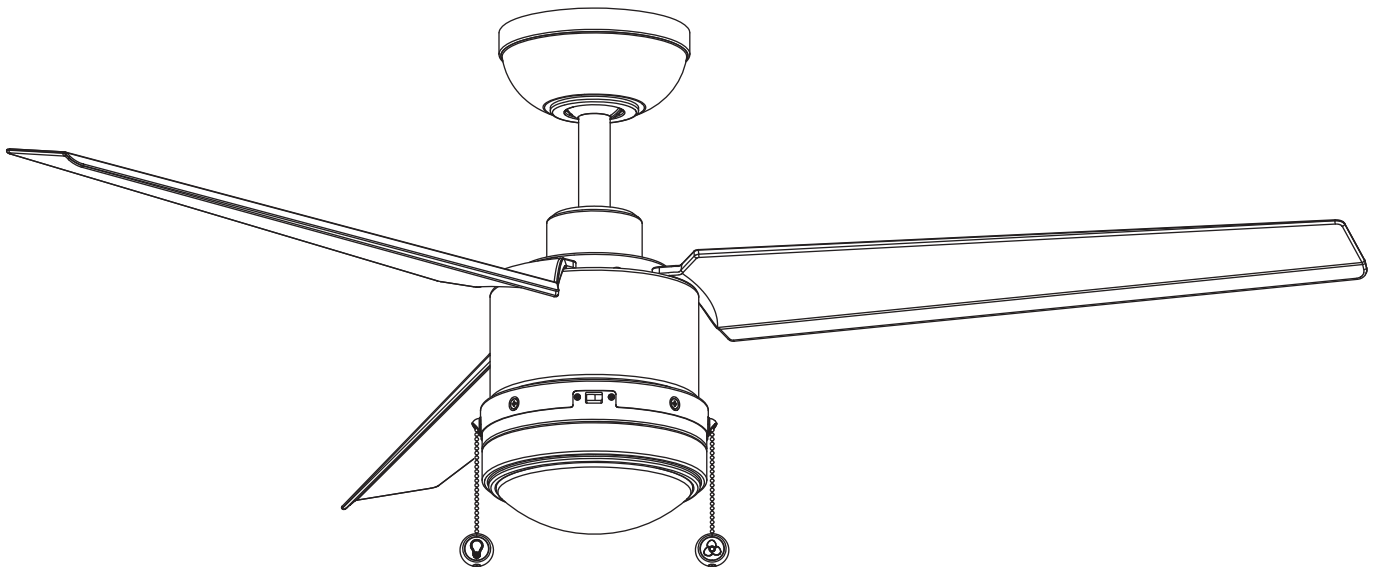


**FANIMATION**<sup>®</sup>  
SHOWROOM COLLECTION

## PC/DC™ L CEILING FAN

MODEL #FPD7619\*\*

**Español p. 21**



**ATTACH YOUR RECEIPT HERE AND REGISTER YOUR FAN AT [FANIMATION.COM](http://FANIMATION.COM)  
READ AND SAVE THESE INSTRUCTIONS**

**Date Code** \_\_\_\_\_ **Purchase Date** \_\_\_\_\_ Net Weight 15.06 lbs (6.83 kgs)

For best and quickest service please provide date code. You can find the date code on the carton or top of fan housing.



**Questions, problems, missing parts?** Before returning to your retailer, call our customer service department at 1-888-567-2055, 8 a.m.-5 p.m., EST, Monday-Friday.

## Important Safety Instructions

**WARNING: To avoid fire, shock and serious personal injury, follow these instructions.**

1. Read your owner's manual and safety information before installing your new fan. Review the accompanying assembly diagrams.
2. Before servicing or cleaning unit, switch power off at service panel and lock service panel disconnecting means to prevent power from being switched on accidentally. When the service disconnecting means cannot be locked, securely fasten a warning device, such as a tag, to the service panel.
3. Be careful of the fan and blades when cleaning, painting, or working near the fan. Always turn off the power to the ceiling fan before servicing.
4. Do not insert anything into the fan blades while the fan is operating.
5. Do not operate reversing switch until fan blades have come to a complete stop.
6. The appliance is not intended for use by young children or infirm persons without supervision. Young children should be supervised to ensure that they do not play with the appliance.

## Additional Safety Instructions

1. To avoid possible shock, be sure electricity is turned off at the fuse box before wiring, and do not operate fan without blades.
2. All wiring and installation procedures must satisfy National Electrical Codes (ANSI/ NFPA 70) and Local Codes. The ceiling fan must be grounded as a precaution against possible electrical shock. Electrical installation should be made or approved by a licensed electrician.
3. The fan base must be securely mounted and capable of reliably supporting at least 35 lbs. See page 5 of owner's manual for support requirements. Consult a qualified electrician if in doubt.
4. The fan must be mounted with the fan blades at least 7 feet from the floor to prevent accidental contact with the fan blades.
5. Follow the recommended instructions for the proper method of wiring your ceiling fan. If you do not have adequate electrical knowledge or experience, have your fan installed by licensed electrician.
6. Use only with light kits marked suitable for use in wet locations.
7. This fan is to be used in wet locations.
8. Suitable for use with solid-state speed controls.

**WARNING:** To Reduce The Risk Of Electric Shock, This Fan Must Be Installed With An Isolating Wall Control/Switch.

**WARNING:** This product is designed to use only those parts supplied with this product and/or accessories designated specifically for use with this product. Using parts and/or accessories not designated for use with this product could result in personal injury or property damage.

**WARNING:** To reduce the risk of personal injury, do not bend the blade when installing the fan blades, balancing the blades, or cleaning the fan. Do not insert foreign objects in between rotating fan blades.

**WARNING:** Mount to an outlet box marked acceptable for fan support of 15.9 kg (35 lbs) or Less.

## **LIMITED LIFETIME WARRANTY**

**Extends to the original purchaser of a Fanimation fan from an authorized Fanimation dealer/retailer only**

1. **LIMITED LIFETIME MOTOR WARRANTY** - If any part of your fan motor fails, due to a defect in materials or workmanship during the lifetime of the original purchaser, Fanimation will provide the replacement part free of charge, when the defective fan is returned to our national service center. Proof of purchase is required. Customer shall be responsible for all costs incurred in the removal or reinstallation and shipping of the product for repairs or replacement.
2. **ONE YEAR MOTOR LABOR WARRANTY** - If your fan motor fails at any time within one year from the original purchase, due to defects in materials or workmanship, labor to repair the motor will be provided free of charge at our national service center. Purchaser will be responsible for labor charges after this one-year period. Customer shall be responsible for all costs incurred in the removal or reinstallation and shipping of the product for repairs or replacement.
3. If any other part of your fan fails at any time within one years after original purchase, due to a defect in materials or workmanship, we will repair, or replace, at our option, the defective part free of charge for parts and labor performed at our national service center.
4. Because of varying climate conditions, this warranty does not cover changes in the finish, including rusting, pitting, corroding, tarnishing, or peeling.
5. This warranty is void and does not apply to damage from improper installation, neglect, accident, misuse, exposure to extremes of heat or humidity, or as a result of any modification to the original product.
6. All costs of removal and reinstallation of the fan are the sole responsibility of the owner of the fan and not the store that sold the fan or Fanimation.
7. Fanimation reserves the right to modify or discontinue any product at any time and may substitute any part under this warranty.
8. Under no circumstances may a fan be returned without prior authorization from Fanimation. The receipt of purchase must accompany authorized returns and must be sent freight prepaid to Fanimation. The fan to be returned must be properly packed to avoid damage in transit; Fanimation will not be responsible for any damage resulting from improper packaging.
9. It is understood that any repair or replacement is the exclusive remedy available from Fanimation. There is no other expressed or implied warranty. Fanimation hereby disclaims any and all implied warranties, including, but not limited to those of merchantability and fitness for a particular purpose to the extent permitted by law. Some states do not allow limitations on implied warranties. Fanimation will not be liable for incidental, consequential, or special damages arising out of or in conjunction with product use or performance, except as may otherwise be accorded by law. This warranty gives you special legal rights and you may also have other rights that vary from state to state.
10. A certain amount of wobble is normal and should not be considered a problem or a defect.

## **Table of Contents**

<b>Unpacking Instructions</b> . . . . .	<b>4</b>	<b>How to Install Your Switch Cover/Light Kit Assembly</b> . . . . .	<b>13</b>
<b>Energy Efficient Use of Ceiling Fans</b> . . . . .	<b>5</b>	<b>How to Operate Your Ceiling Fan</b> . . . . .	<b>14</b>
<b>Electrical and Structural Requirements</b> . . . . .	<b>5</b>	<b>Maintenance</b> . . . . .	<b>15</b>
<b>How to Assemble Your Ceiling Fan</b> . . . . .	<b>7</b>	<b>How to Clean Your Ceiling Fan Blades</b> . . . . .	<b>15</b>
<b>How to Hang Your Ceiling Fan</b> . . . . .	<b>9</b>	<b>Parts List</b> . . . . .	<b>16</b>
<b>How to Wire Your Ceiling Fan</b> . . . . .	<b>10</b>	<b>Exploded-View Illustration</b> . . . . .	<b>17</b>
<b>How to Install Your Canopy Housing</b> . . . . .	<b>12</b>	<b>Troubleshooting</b> . . . . .	<b>18</b>
<b>How to Assemble Your Ceiling Fan Blades</b> . . . . .	<b>12</b>		

This manual is designed to make it as easy as possible for you to assemble, install, operate and maintain your ceiling fan

## Tools Needed for Assembly (Not Included)

- One Phillips head screwdriver
- One stepladder
- One 1/4" blade screwdriver
- One wire stripper

## Materials

Wiring outlet box and box connectors must be of type required by local code. The minimum wire would be a 3-conductor (2-wire with ground) of the following size:

Installed Wire Length	Wire Size A.W.G.
Up to 50 ft.	14
50-100 ft.	12

**NOTE:** Place the parts from the loose parts bags in a small container to keep them from being lost. If any parts are missing, contact your local retailer.

**⚠ WARNING**

Before assembling your ceiling fan, refer to section on proper method of wiring your fan (page 10). If you feel you do not have enough wiring knowledge or experience, have your fan installed by a licensed electrician.

## Unpacking Instructions

For your convenience, check-off each step. As each step is completed, place a check mark. This will ensure that all steps have been completed and will be helpful in finding your place should you be interrupted.

**⚠ WARNING**

Do not install or use fan if any part is damaged or missing. This product is designed to use only those parts supplied with this product and/or any accessories designated specifically for use with this product by Fanimation. Substitution of parts or accessories not designated for use with this product by Fanimation could result in personal injury or property damage. Contact your retail store for missing or damaged parts.

1. Check to see that you have received the following parts:

**NOTE:** If you are uncertain of part description, refer to exploded view illustration.

**Hanger Bracket Assembly (1)**

**Ceiling Canopy (1)**

**Motor Coupling Cover Assembly (1)**

**Switch Housing (1)**

**Switch Cover/Light Kit Assembly (1)**

**Glass (1)**

**Motor Assembly (1)**

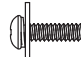






**Downrod/Hanger Ball Assembly (1)**  
 – Downrod (1)      – Hairpin Clip (1)  
 – Hanger Ball (1)    – Clevis Pin (1)  
 – Set Screw (1)    – Pin (1)

**Canopy Screw Cover Assembly (1)**


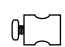


**Blade Set (1)**

---

**Hardware Bags**

-   
3/16"-24 Truss Head Screw With Spring Washer/Flat Washer /Rubber Washer (7)
-   
#8-32 Outlet Box Screws, Stainless Steel (2)
-   
Flat Washers, Stainless Steel (2)
-   
Wire Connectors (4)
-   
Fan Fob (1)
-   
Light Fob (1)
-   
Pull Chain Coupler (2)

**Safety Cable Kit**

-   
Safety Cable (1)
-   
Cable Clamp (1)
-   
Flat Washer, Stainless Steel (1)
-   
Lag Bolt (1)

---

## Energy Efficient Use of Ceiling Fans

Ceiling fan performance and energy savings rely heavily on the proper installation and use of the ceiling fan. Here are a few tips to ensure efficient product performance.

### Choosing the Appropriate Mounting Location

Ceiling fans should be installed, or mounted, in the middle of the room and at least 7 feet from floor to the blade and 18 inches from wall to the blade. If ceiling height allows, install the fan 8 - 9 feet from floor to the blade for optimal airflow. Consult your Fanimation Retailer for optional mounting accessories.

### Turn Off When Not in the Room

Ceiling fans cool people, not rooms. If the room is unoccupied, turn off the ceiling fan to save energy.

### Using the Ceiling Fan Year Round

**Summer Season:** Use the ceiling fan in the counterclockwise direction. The airflow produced by the ceiling fan creates a wind-chill effect, making you “feel” cooler. Select a fan speed that provides a comfortable breeze, lower speeds consume less energy.

**Winter Season:** Reverse the motor and operate the ceiling fan at low speed in the clockwise direction. This produces a gentle updraft, which forces warm air near the ceiling down into the occupied space. Remember to adjust your thermostat when using your ceiling fan—additional energy and dollar savings could be realized with this simple step!

---

## Electrical and Structural Requirements

Your new ceiling fan will require a grounded electrical supply line of 120 volts AC, 60 HZ, 15 Amp Circuit. Electrical code requires use of a fan-rated outlet box to support the extra weight and motion associated with a ceiling fan. A fan-rated box will be labeled as such and typically supports up to a 70lb ceiling fan. Fan-Rated Outlet Boxes vary in ratings and design. Ensure the ratings of your ceiling fan outlet box meet the requirements for the ceiling fan being installed. Figure 1, Figure 2 and Figure 3 depicts different structural configurations that may be used for mounting the outlet box.

### Low profile box (Figure 1)

A 1/2-in.-deep pancake box is meant to be screwed to a joist or block. It's used if only one cable is coming into the box. It is also available in a saddle-mount configuration.

### Deep box (Figure 2)

A 2-1/4-in.-deep box can be attached to blocking between joists and is roomy enough to handle more than one cable.

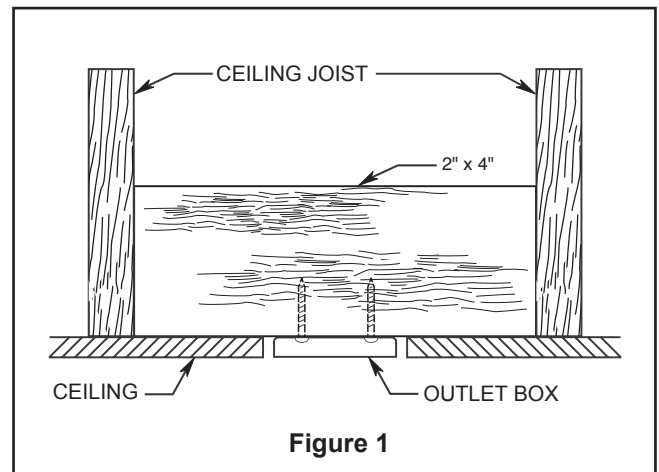


Figure 1

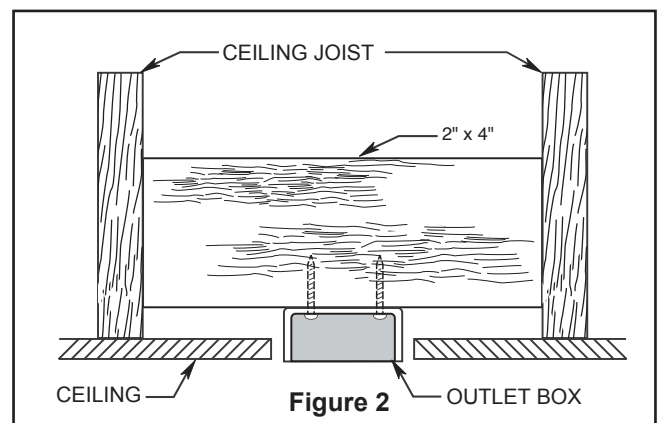


Figure 2

## Electrical and Structural Requirements (Continued)

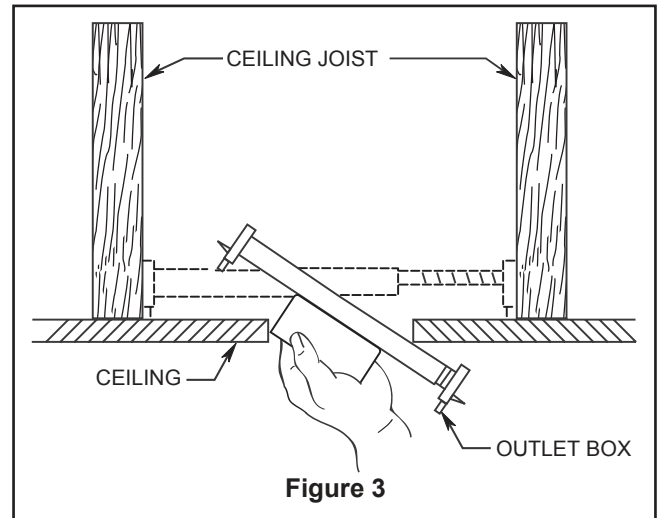
### Deep box with brace (Figure 3)

Paired with a deep box, this hanger is meant to span between two joists and takes the place of wooden blocking.

#### **⚠ WARNING**

To reduce the risk of fire, electric shock, or personal injury, mount to outlet box marked acceptable for fan support of 15.9 kg (35 lbs) or less and use mounting screws provided with the outlet box. Most outlet boxes commonly used for the support of luminaires are not acceptable for fan support and may need to be replaced, consult a qualified electrician if in doubt.

If your fan is to replace an existing light fixture, turn electricity off at the main fuse box at this time and remove the existing light fixture.



#### **⚠ WARNING**

Turning off wall switch is not sufficient. To avoid possible electrical shock, be sure electricity is turned off at the main fuse box before wiring. All wiring must be in accordance with National and Local codes and the ceiling fan must be properly grounded as a precaution against possible electrical shock.

#### **⚠ WARNING**

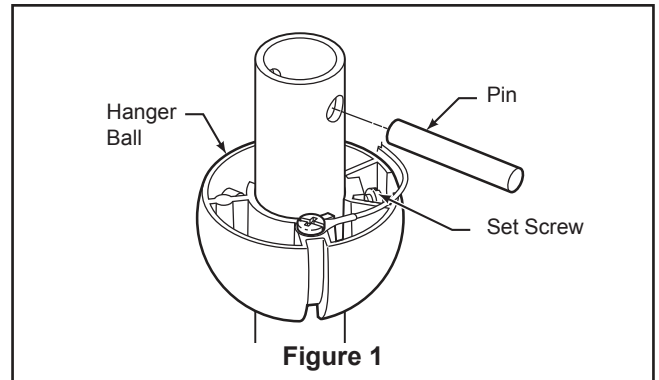
To avoid fire or shock, follow all wiring instructions carefully. Any electrical work not described in these instructions should be done or approved by a licensed electrician.

#### **⚠ WARNING**

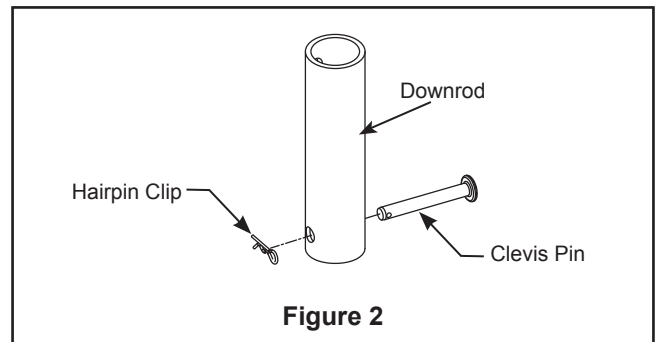
Do not operate this fan with a variable (Rheostat) wall controller or dimmer switch. Doing so could result in damage to the ceiling fan's remote control unit.

# How to Assemble Your Ceiling Fan

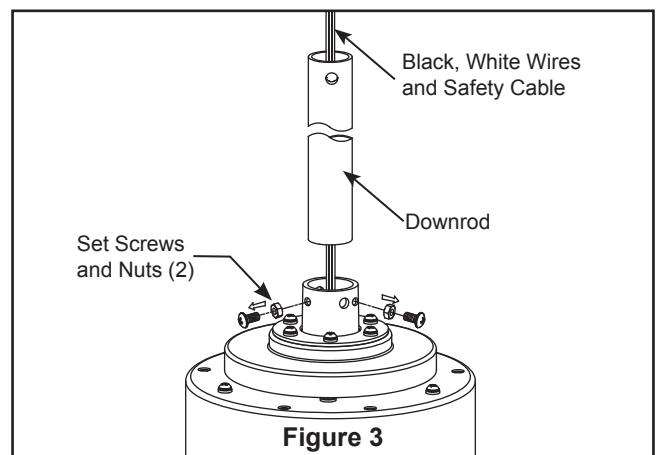
1. Remove the hanger ball portion from the downrod/hanger ball assembly by loosening the set screw in the hanger ball until the ball falls freely down the downrod. Remove the pin from the downrod, then remove the hanger ball. Retain the pin and hanger ball for reinstallation in Step 6. (Figure 1)



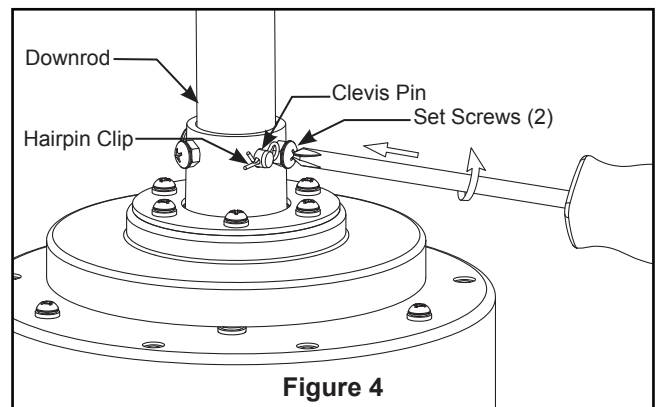
2. Remove the hairpin clip and clevis pin from the bottom of downrod. Retain the pin and clip for reinstallation in Step 4. (Figure 2)



3. Loosen the two set screws and locking nuts in the downrod support of the motor assembly. Route the black, white wires and safety cable through the downrod. (Figure 3)



4. Insert downrod into the downrod support on top of the motor. Install the clevis pin by aligning the holes in the downrod support with holes in the downrod. Secure clevis pin with hairpin clip. Tighten the two set screws with nuts in the downrod support. (Figure 4)

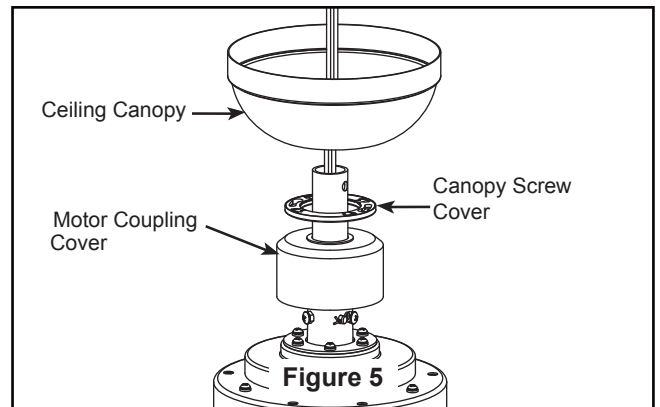


## **⚠ WARNING**

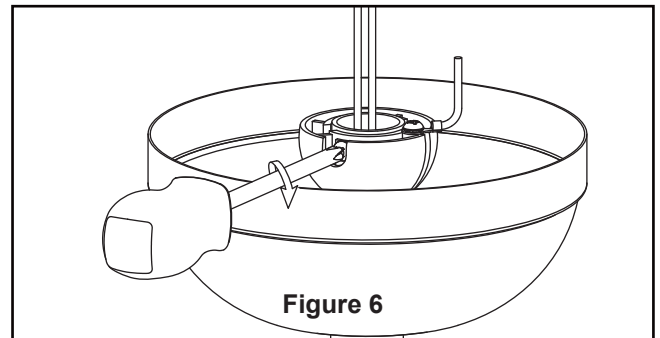
It is critical that the clevis pin in the downrod support is properly installed and the set screws and nuts are securely tightened. Failure to do so could result in the fan falling.

## How to Assemble Your Ceiling Fan (Continued)

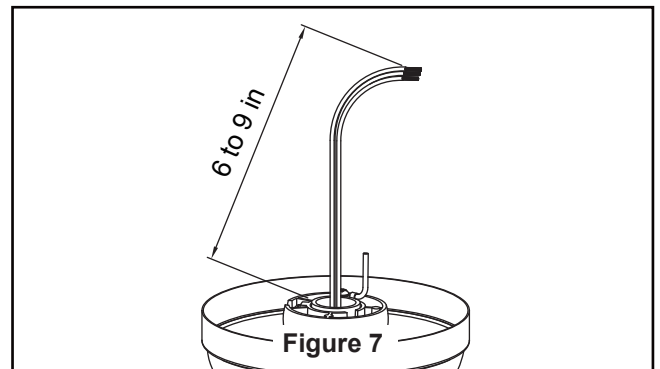
5. Route wires and safety cable through motor coupling cover, canopy screw cover and ceiling canopy. (Figure 5)



6. Reinstall the hanger ball on the downrod as follows. Route the black, white wires and safety cable through the hanger ball. Position the pin through the two holes in the downrod and align the hanger ball so the pin is captured in the groove in the top of the hanger ball. Pull the hanger ball up tight against the pin. Securely tighten the set screw in the hanger ball. A loose set screw could create fan wobble. (Figure 6)



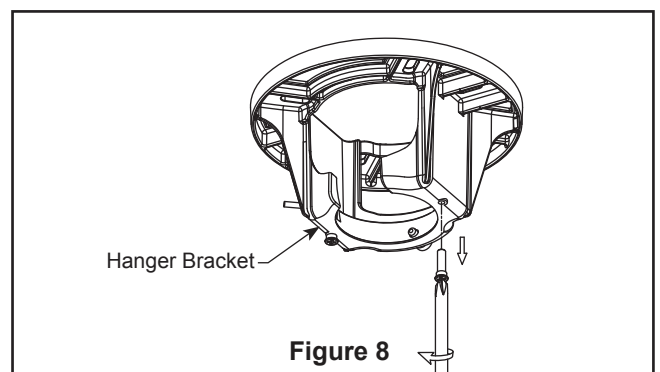
7. Cut off excess lead wire approximately 6 to 9 inches above top of the downrod. Strip insulation off 1/2 inch from the end of each lead wire. (Figure 7)



### CAUTION

All set screws must be checked, and retightened where necessary before installation.

8. Remove one of the two shoulder screws in the hanger bracket and retain the screw for later. Loosen the second shoulder screw without fully removing it. (Figure 8)





# How to Hang Your Ceiling Fan

## **⚠ WARNING**

To avoid possible fire or shock, be sure electricity is turned off at the main fuse box before hanging. (Figure 1)

**NOTE:** If you are not sure if the outlet box is grounded, contact a licensed electrician for advice, as it must be grounded for safe operation.

## **⚠ WARNING**

The fan must be hung with at least 7' of clearance from floor to blades. (Figure 2)

## **CAUTION**

Do not connect fan blades until the fan is completely installed. Hanging fan with blades connected may result in damage to the fan blades.

1. Securely attach the hanger bracket to the outlet box using the #8-32 outlet box screws and flat washers supplied with the fan. (Figure 3)

2. Drill a 1/4" pilot hole into the building structure to prevent splitting or cracking with installation of the lag bolt. Using the 3/8" x 2" lag bolt and flat washer, attach safety cable to ceiling joist or wood structural member. The lag bolt will pass through the flat washer, safety cable loop, and into the building structure. (Figure 3)

**NOTE:** Ceiling support cable cannot be secured to outlet box only, it must be directly secured to ceiling joist or structural member using the 3/8" x 2" lag bolt and flat washer. (Figure 3)

3. Make sure the electrical supply wires, including the hanger bracket grounding wire and safety cable are pulled through the downrod, between the hanger bracket and the outlet box so that electrical connections can be made later.

## **⚠ WARNING**

The outlet box must be securely anchored. Hanger bracket must seat firmly against outlet box. If the outlet box is recessed, remove wall board until bracket contacts box. If bracket and /or outlet box are not securely attached, the fan could wobble or fall.

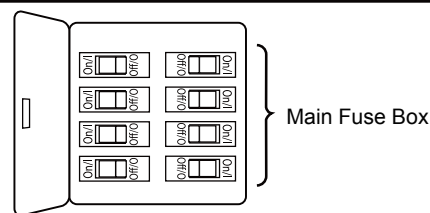


Figure 1

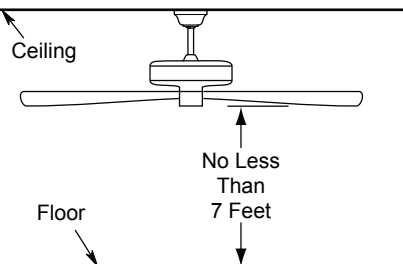


Figure 2

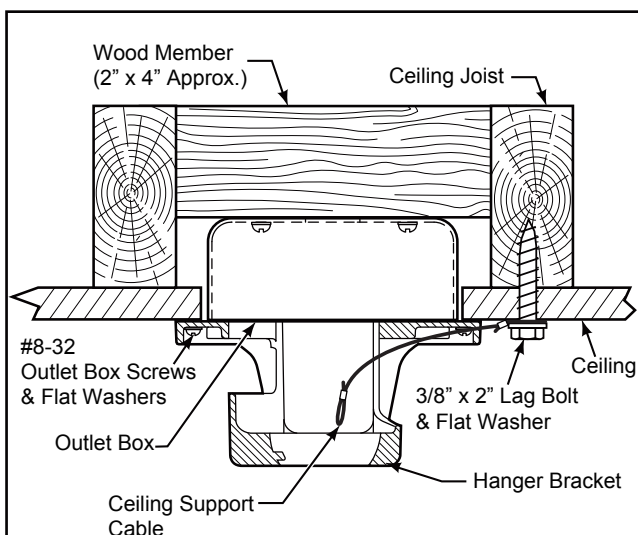

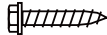





Figure 3

### HARDWARE USED:

Safety Cable		x 1
Lag Bolt		x 1
Flat Washer, Stainless Steel		x 1
#8-32 Outlet Box Screws, Stainless Steel		x 2
Flat Washers, Stainless Steel		x 2

## How to Hang Your Ceiling Fan (Continued)

### **⚠ WARNING**

To avoid possible shock, do not pinch wires between the hanger ball assembly and the hanger bracket.

### **⚠ WARNING**

Failure to seat tab in groove could cause damage to electrical wires and possible shock or fire hazard.

4. Carefully lift the fan and seat the downrod/hanger ball assembly onto the hanger bracket that was just attached to the outlet box. Be sure the groove in the ball is lined up with tab on the hanger bracket. (Figure 4)
5. Attach the safety cable to ceiling support cable. Slide cable clamp and washer onto safety cable (from fan). Place the end of cable through the loop of ceiling support cable. Pull as much cable through loop as possible. Feed end of cable into clamp hole and firmly tighten screw. (Figure 4)

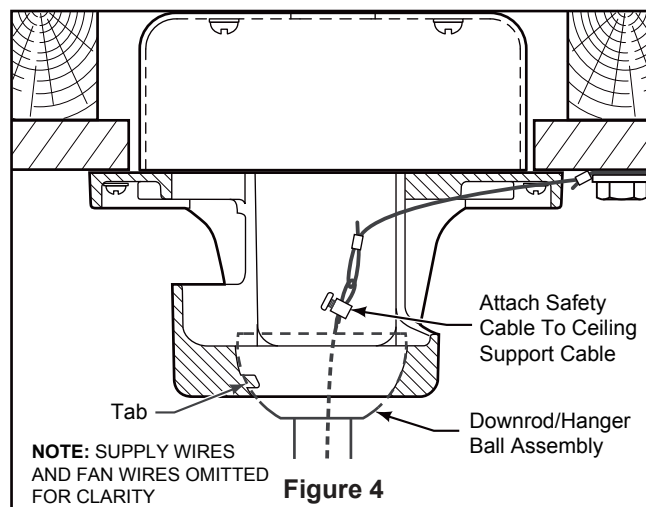


Figure 4

### HARDWARE USED:

Cable Clamp



x 1

## How to Wire Your Ceiling Fan

### **⚠ WARNING**

To avoid possible electrical shock, be sure electricity is turned off at the main fuse box before wiring. (Figure 1)

**NOTE:** If you are not sure if the outlet box is grounded, contact a licensed electrician for advice, as it must be grounded for safe operation.

**NOTE:** If you feel that you do not have enough electrical wiring knowledge or experience, have your fan installed by a licensed electrician.

### **Option A- with black and white supply wires only**

1. Connect the green grounding lead from the downrod and the green grounding lead from the hanger bracket to the supply grounding conductor (this may be a bare wire or wire with green colored insulation). Securely connect wires with wire connector. Securely connect the white fan motor wire to the white supply (neutral) wire using wire connector. Securely connect the black fan motor wire to the black supply wire using wire connector. (Figure 2A)

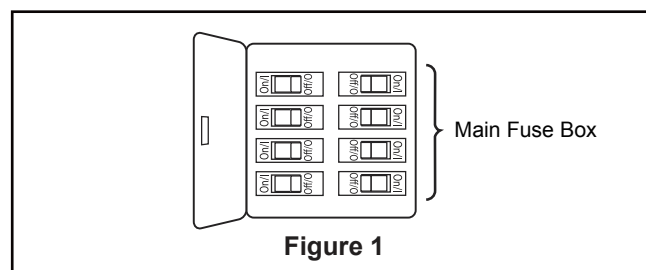


Figure 1

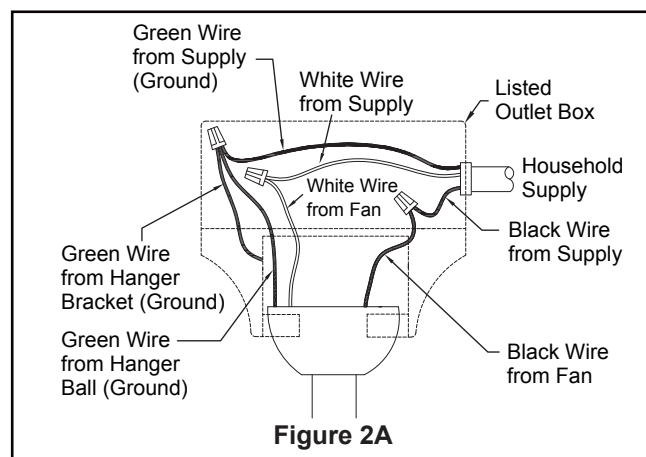


Figure 2A

### HARDWARE USED:

Wire Connectors



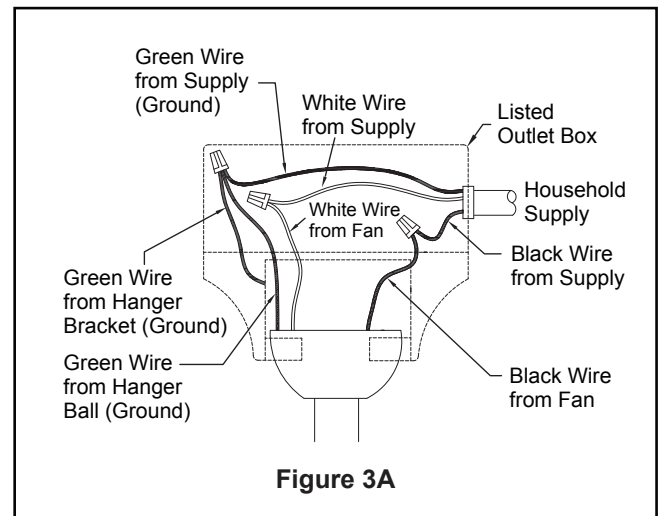
x 3

## How to Wire Your Ceiling Fan (Continued)

2. After connections have been made, taking care not to pinch the wires and put the white and green leads to one side and the black leads towards the other side, the connection should be turned upward and carefully push leads into the outlet box. The wires should be spread apart with the grounded conductor and the equipment-grounding conductor on one side of the outlet box and the ungrounded conductor on the other side. (Figure 3A)

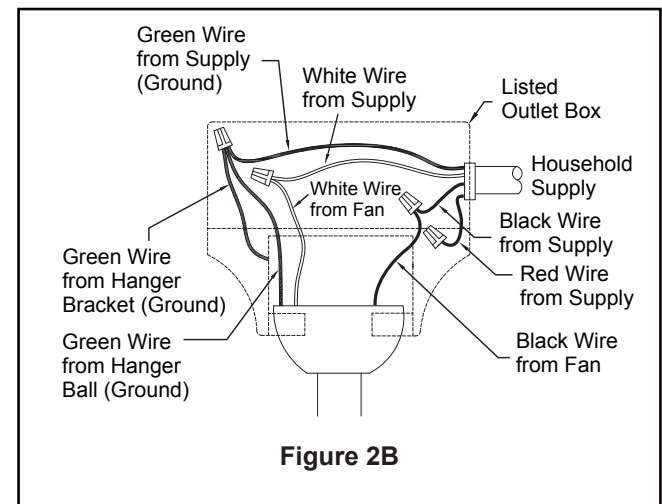
### **⚠ WARNING**

Check to see that all connections are tight, including ground, and that no bare wire is visible at the wire connectors except for the ground wire. Do not operate fan until the blades are in place. Noise and motor damage could result.



### **Option B - with black, white and red supply wires**

1. Connect the green grounding lead from the downrod and the green grounding lead from the hanger bracket to the supply grounding conductor (this may be a bare wire or wire with green colored insulation). Securely connect wires with wire connector. Securely connect the white fan motor wire to the white supply (neutral) wire using wire connector. Securely connect the black fan motor wire to the black supply wire using wire connector. Securely enclose the red supply wire with wire connector. (Figure 2B)



### **HARDWARE USED:**

Wire Connectors

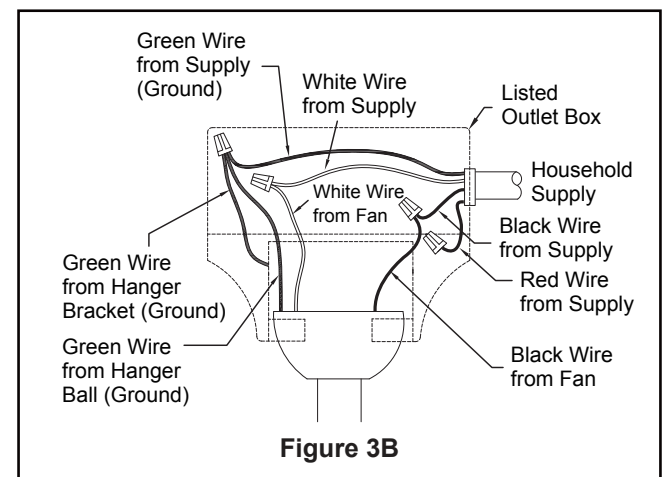


x 4

2. After connections have been made, taking care not to pinch the wires and put the white and green leads to one side and the black leads towards the other side, the connection should be turned upward and carefully push leads into the outlet box. The wires should be spread apart with the grounded conductor and the equipment-grounding conductor on one side of the outlet box and the ungrounded conductor on the other side. (Figure 3B)

### **⚠ WARNING**

Check to see that all connections are tight, including ground, and that no bare wire is visible at the wire connectors except for the ground wire. Do not operate fan until the blades are in place. Noise and motor damage could result.



## How to Install Your Canopy Housing

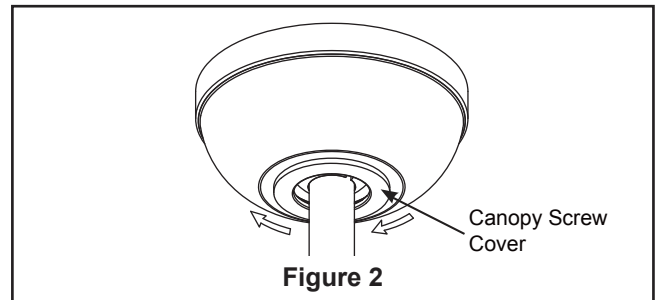
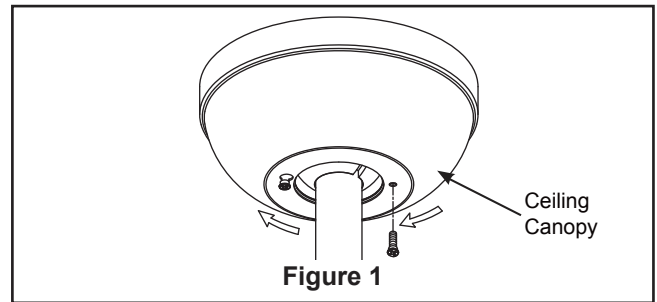
**NOTE:** This step is applicable after the necessary wiring is completed.

1. Assemble canopy by rotating key slot in canopy over shoulder screw in hanger bracket, taking care not to pinch the wires. Tighten shoulder screw. Fully assemble and tighten second shoulder screw that was previously removed. (Figure 1)

### **⚠ WARNING**

To avoid possible fire or shock, make sure that the electrical wires are completely inside the canopy housing and not pinched between the housing and the ceiling.

2. Securely attach and tighten the canopy screw cover over the shoulder screws in the hanger bracket utilizing the key slot twist-lock feature. (Figure 2)



## How to Assemble Your Ceiling Fan Blades

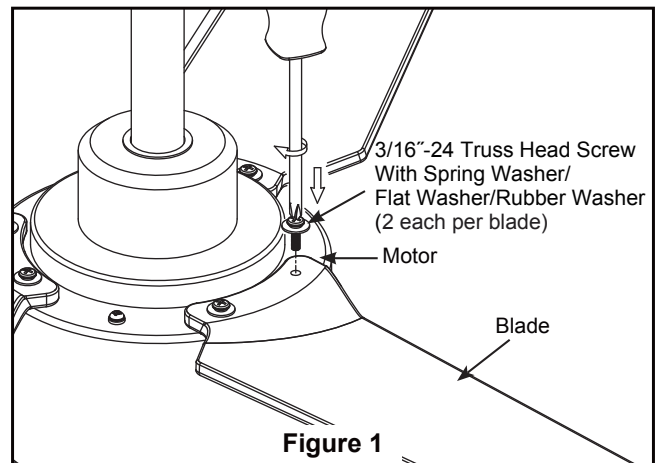
### **INSTALLATION NOTE**

Do not connect fan blades until the fan is completely installed. Installing the fan with blades assembled may result in damage to the fan blades.

### **⚠ WARNING**

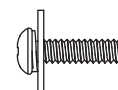
To reduce the risk of personal injury, do not bend the blades when installing, balancing or cleaning the fan. Do not insert foreign objects in between the rotating blades.

1. Position blade along the motor, aligning blade holes with holes in the top of the motor assembly flywheel. Make sure the blade is fully seated against the flywheel and install 3/16"-24 truss head screw with spring washer/flat washer/rubber washer from the hardware bag. (Figure 1)



### **HARDWARE USED:**

3/16"-24 Truss Head Screw  
With Spring Washer/  
Flat Washer/Rubber Washer



x 6

# How to Install Your Switch Cover/Light Kit Assembly

## CAUTION

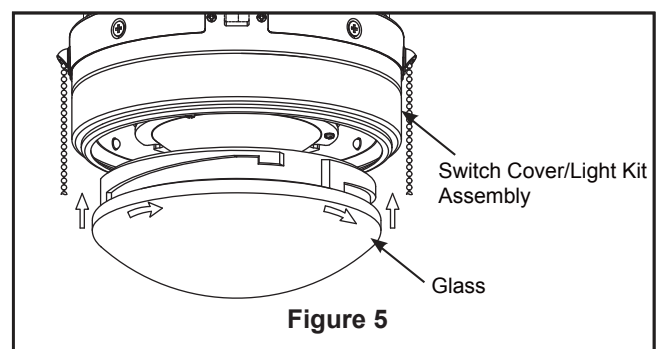
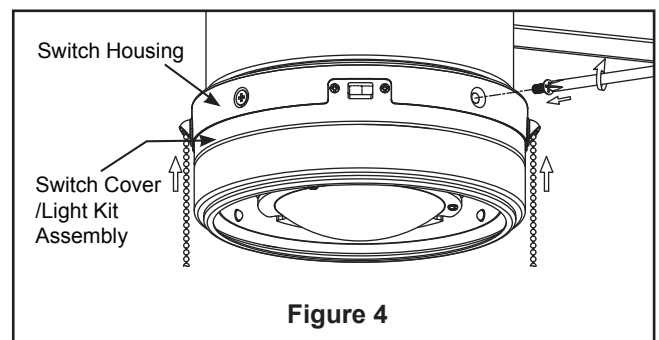
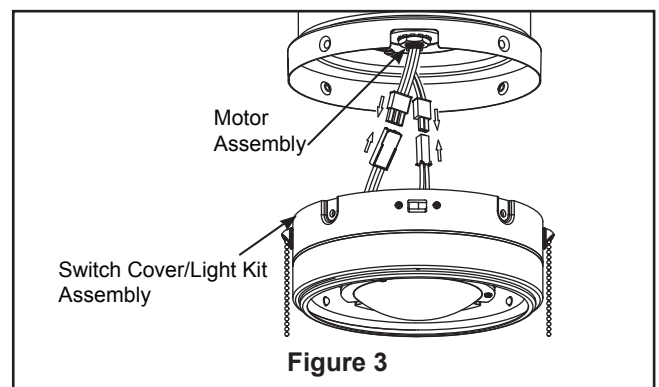
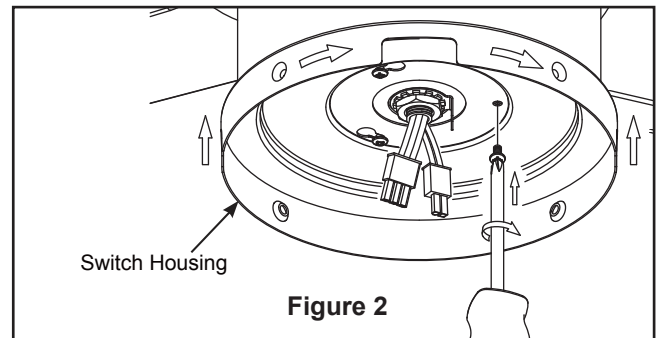
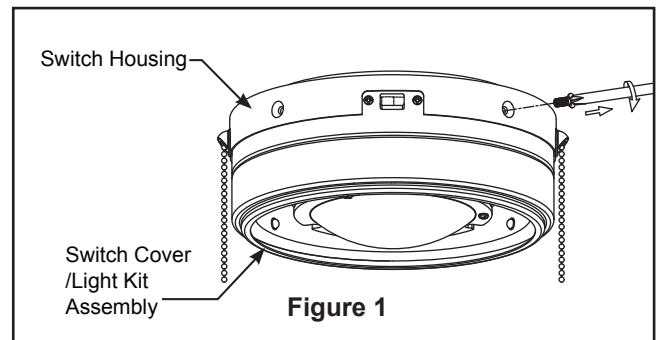
To reduce the risk of electric shock, disconnect the electrical supply circuit to the fan before installing your light kit.

1. Disassemble switch cover/light kit assembly from switch housing removing four screws. Retain these screws for Step 4. (Figure 1)
2. Remove one of the three screws in the support bracket of motor. Slightly loosen the remaining two screws. Assemble the switch housing to the support bracket using the two key slots in the switch housing. Replace the third screw and securely tighten all three screws. (Figure 2)
3. Securely attach 3-pin connector and 2-pin connector from motor assembly to wiring harness socket within switch cover/light kit assembly. (Figure 3)
4. Assemble the switch cover/light kit assembly onto the switch housing using the previously removed screws and securely tighten all screws. (Figure 4)

## CAUTION

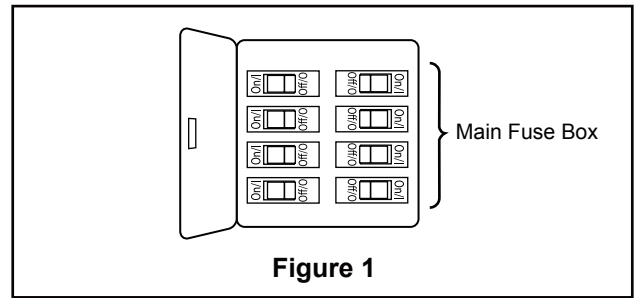
The light source is designed for this specific application and can overheat if serviced by untrained personnel. If any servicing is required, the product should be returned to an authorized service facility for examination or repair.

5. Secure the glass to switch cover/light kit assembly by twisting in a clockwise direction. Twist the glass gradually until it snaps onto the switch cover/light kit assembly. Do not over-tighten. (Figure 5)







# How to Operate Your Ceiling Fan

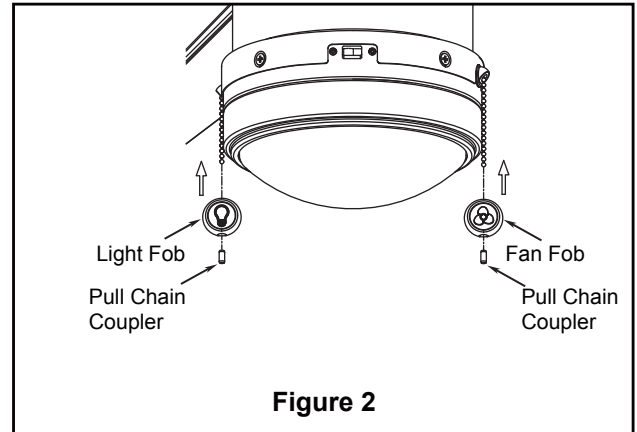
1. Restore electrical power to the outlet box by turning the electricity on at the main fuse box. (Figure 1)



**Figure 1**

2. Install the fan fob and the light fob with pull chain coupler. (Figure 2)

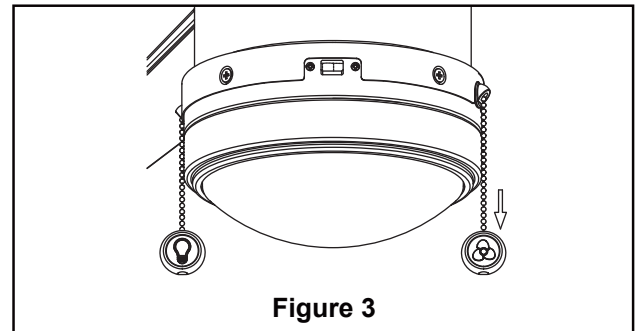
HARDWARE USED:			
Fan Fob		x 1	
Pull Chain Coupler		x 1	
Light Fob		x 1	
Pull Chain Coupler		x 1	



**Figure 2**

3. Check the operation of the fan by gently pulling on the fan pull chain. (Figure 3)

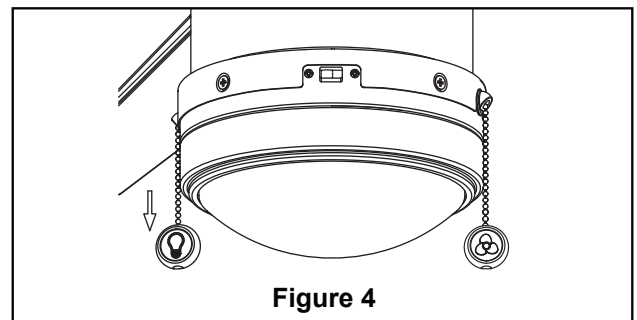
Fan Pull Chain Operating Sequence	
1 <sup>st</sup> Pull	High
2 <sup>nd</sup> Pull	Medium
3 <sup>rd</sup> Pull	Low
4 <sup>th</sup> Pull	Off



**Figure 3**

4. Check the operation of the light by gently pulling on the light kit pull chain. (Figure 4)

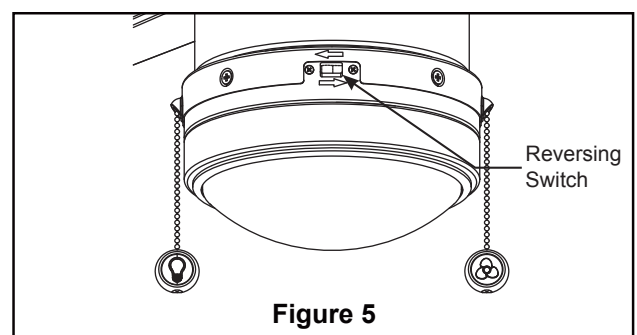
Light Pull Chain Operating Sequence	
1 <sup>st</sup> Pull	On
2 <sup>nd</sup> Pull	Begins dimming
3 <sup>rd</sup> Pull	Stops dimming
4 <sup>th</sup> Pull	Off



**Figure 4**

5. If airflow is desired in the opposite direction, turn the fan off and wait for the blades to stop turning. Then slide the reverse switch to the opposite position and turn fan on again. (Figure 5)

Reverse Switch Information		
Season	Rotation Direction	Switch Position
Summer	Counter-Clockwise	Left
Winter	Clockwise	Right



**Figure 5**

---

## Maintenance

Periodic cleaning of your new ceiling fan is the only maintenance necessary.  
When cleaning, use only a soft brush or lint free cloth to avoid scratching the finish.  
Abrasive cleaning agents are not required and should be avoided to prevent damage to finish.

<b>CAUTION</b>
----------------

Do not use solvents when cleaning your ceiling fan. It could damage the motor or the blades and create the possibility of electrical shock.
---

---

## How to Clean Your Ceiling Fan Blades

Periodic light dusting of the blades is recommended.  
A feather duster will work best.

Avoid using water, cleansers, or harsh rags, which can warp and ruin the blades.

# Parts List

Model #FPD7619\*\*

Ref. #	Description	Part #
1	Hanger Bracket Assembly with Screws	AP255BL
2	Downrod/Hanger Ball Assembly	ADR1SS-6**
3	Ceiling Canopy	P799301**
4	Canopy Screw Cover Assembly	AP260**
5	Motor Coupling Cover Assembly	APPAC1410**
6	Motor Assembly	AMA7619**
7	Blade Set	AP761703**
8	Switch Housing	P761901**
9	Switch Cover/Light Kit Assembly	AP761903**
10	LED Assembly	AP761906
11	Light Kit/Glass Assembly	AP761904OP
12	Controller	PPSTPCC761700
13	<b>Hardware Bag Containing:</b>	HDWFPD7619**
	Wire Connectors (4)	
	Fan Fob (1)	
	Pull Chain Coupler (1)	
	Light Fob (1)	
	Pull Chain Coupler (1)	
	Safety Cable Kit	
	#8-32 Outlet Box Screws, Stainless Steel (2)	
	Flat Washers, Stainless Steel (2)	
	<b>Blade Mounting Hardware Bag Containing:</b>	
	3/16"-24 Truss Head Screw With Spring Washer /Flat Washer/Rubber Washer (7)	

\*\* Insert FINISH CODES (Refer to fan model number located on downrod support)  
**Before discarding packaging materials, be certain all parts have been removed.**

## How To Order Parts

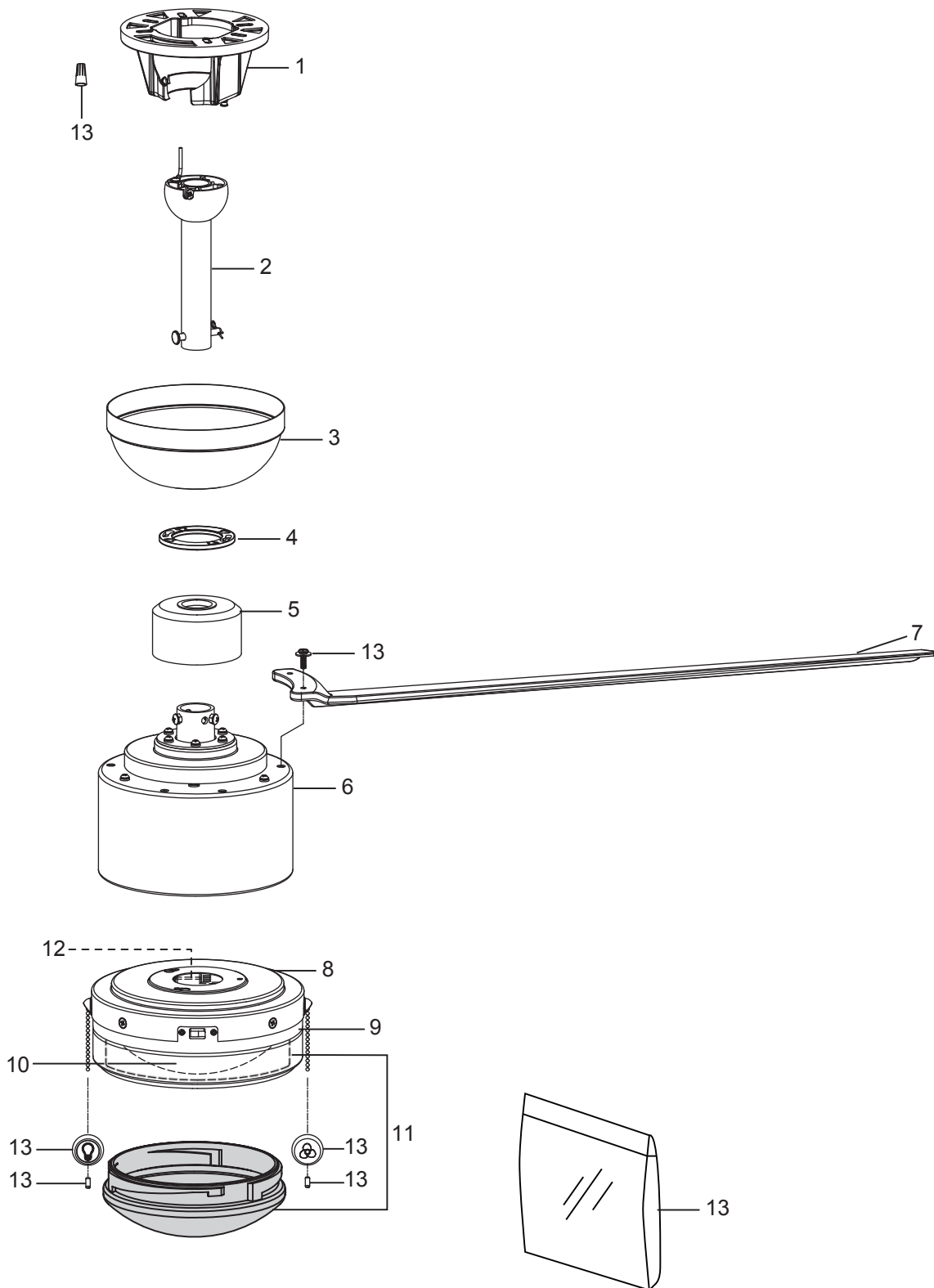
When ordering repair parts, always give the following information:

- Fan Model Number
- Part Number
- Part Description
- Date Code

Contact [techsupport@fanimation.com](mailto:techsupport@fanimation.com) or call 1.888.567.2055 for repair parts.



**PC/DC™ L**  
**Model FPD7619\*\***  
**Exploded-View Illustration**



**NOTE:** The illustration shown is not to scale or its actual configuration may vary. Product/parts are subject to change without notice.

# Troubleshooting

## ⚠ **WARNING**

**For your own safety turn off power at fuse box or circuit breaker before trouble shooting your fan.**

<b>Trouble</b>	<b>Probable Cause</b>	<b>Suggested Remedy</b>
<b>1. FAN WILL NOT START.</b>	<ol style="list-style-type: none"> <li>1. Fuse or circuit breaker blown.</li> <li>2. Loose power line connections to the fan, or loose switch wire connections in the switch housing.</li> <li>3. Reversing switch in neutral position.</li> </ol>	<ol style="list-style-type: none"> <li>1. Check main and branch circuit fuses or circuit breakers.</li> <li>2. Check line wire connections to fan and switch wire connections in the switch housings.</li> </ol> <p><b>CAUTION: Make sure main power is turned off !</b></p> <ol style="list-style-type: none"> <li>3. Make sure reversing switch position is all the way to one side.</li> </ol>
<b>2. FAN SOUNDS NOISY.</b>	<ol style="list-style-type: none"> <li>1. Blades not attached to fan.</li> <li>2. Loose screws in motor housing.</li> <li>3. Wire connectors inside housing rattling.</li> <li>4. Screws securing fan blade to motor assembly are loose.</li> <li>5. Lower housing support set screw loose.</li> </ol>	<ol style="list-style-type: none"> <li>1. Attach blades to fan before operating.</li> <li>2. Check to make sure all screws in motor housing are snug (not over-tight).</li> <li>3. Check to make sure wire connectors in switch housing are not rattling against each other or against the interior wall of the switch housing.</li> </ol> <p><b>CAUTION: Make sure main power is turned off !</b></p> <ol style="list-style-type: none"> <li>4. Check to make sure the screws which attach the fan blade to the motor assembly are tight.</li> <li>5. Tighten set screw securely.</li> </ol>
<b>3. FAN WOBBLERS EXCESSIVELY.</b>	<ol style="list-style-type: none"> <li>1. Setscrew in downrod support is loose.</li> <li>2. Setscrew in downrod/hanger ball assembly is loose.</li> <li>3. Screws securing fan blade to motor hub are loose.</li> <li>4. Hanger bracket and/or ceiling outlet box is not securely fastened.</li> </ol>	<ol style="list-style-type: none"> <li>1. Tighten both setscrews securely in downrod support.</li> <li>2. Tighten the setscrew in the downrod/hanger ball assembly.</li> <li>3. Check to be sure screws which attach the fan blade to the flywheel are tight.</li> <li>4. Tighten the hanger bracket screws to the outlet box, and secure outlet box.</li> </ol>
<b>4. NOT ENOUGH AIR MOVEMENT.</b>		<ol style="list-style-type: none"> <li>1. If possible, consider using a longer downrod (not included, you can buy the longer downrod from <a href="http://fanimation.com">fanimation.com</a>).</li> </ol>





10983 Bennett Parkway  
Zionsville, IN 46077  
Phone: 888-567-2055  
Outside U.S.: 317-733-4113  
FAX: 866-482-5215  
FANIMATION.COM

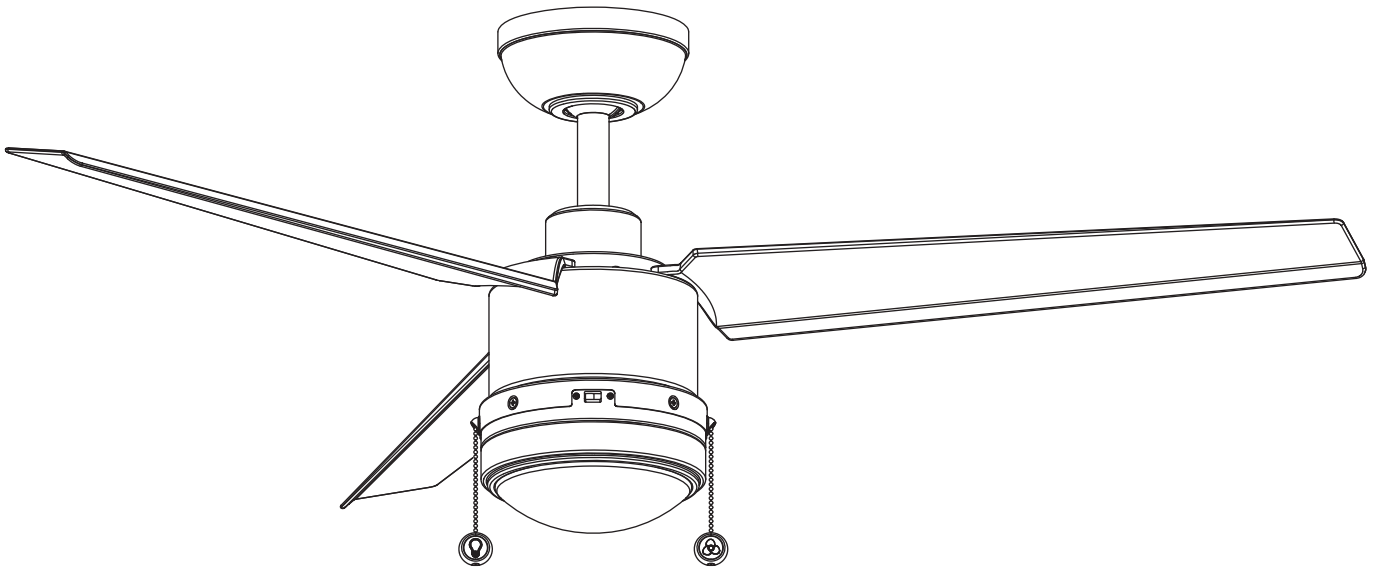
2022/06 V.01  
Copyright 2022 Fanimation



**FANIMATION**<sup>®</sup>  
SHOWROOM COLLECTION

## VENTILADOR DE TECHO PC/DC™ L

MODELO #FPD7619\*\*



**ADJUNTE SU RECIBO AQUÍ Y REGISTRE SU VENTILADOR EN FANIMATION.COM  
LEA Y GUARDE ESTAS INSTRUCCIONES**

**Código de fecha** \_\_\_\_\_ **Fecha de compra** \_\_\_\_\_ **Peso neto 6.83 kgs (15.06 lbs)**

Para ofrecer un servicio rápido y de calidad, por favor suministre el código de fecha. Puede encontrar el código de fecha en el paquete o en la parte superior de la carcasa del ventilador.



**Preguntas, problemas, piezas faltantes?** Antes de volver a la tienda, llame a nuestro Departamento de Servicio al Cliente al 1-888-567-2055, 8 a.m. - 5 pm, hora del Este, de lunes - viernes.

## Instrucciones de seguridad importantes

**ADVERTENCIA: Siga estas instrucciones para prevenir incendios, descargas eléctricas y lesiones personales graves.**  
**AVERTISSEMENT: Suivez ces instructions pour éviter un incendie, une électrocution et des blessures graves.**

1. Lea el manual del propietario y la información de seguridad antes de instalar su nuevo ventilador. Observe los diagramas de ensamblaje adjuntos.
2. Antes de llevar a cabo el mantenimiento o la limpieza de la unidad, desconecte la electricidad en el panel de servicio y bloquee los medios de desconexión del mismo para evitar que se active accidentalmente. Si no se pueden bloquear los medios de desconexión del servicio, coloque un dispositivo de advertencia, como una etiqueta, en el panel de servicio.
3. Tenga cuidado con la estructura y las aspas del ventilador cuando limpie, pinte o trabaje cerca del mismo. Desconecte siempre la electricidad del ventilador de techo antes de llevar a cabo el mantenimiento.
4. No coloque nada en las aspas del ventilador cuando éste se encuentra en funcionamiento.
5. No accione el conmutador inversor hasta que las aspas del ventilador se hayan detenido por completo.
6. Use sólo con juegos de luces marcado adecuado para su uso en lugares húmedos.

## Instrucciones de seguridad adicionales

1. Para evitar posibles descargas eléctricas, asegúrese de que la electricidad esté desconectada en la caja de fusibles antes de realizar la instalación eléctrica, y no haga funcionar el ventilador sin las aspas.
2. Todos los procedimientos de conexión eléctrica e instalación deben cumplir con los Códigos eléctricos nacionales (ANSI/NFPA 70) y Códigos locales. El ventilador de techo debe estar conectado a tierra a fin de prevenir posibles descargas eléctricas. La instalación eléctrica debe ser llevada a cabo o aprobada por un electricista autorizado.
3. Se debe fijar bien la base del ventilador; ésta debe ser capaz de soportar sin problemas al menos 15,9 kg (35 lb). Consulte la página 25 del manual del propietario para ver los requisitos de soporte. Si tiene dudas, consulte a un electricista calificado.
4. Las aspas del ventilador deben instalarse por lo menos a 2 m (7 pies) del suelo, a fin de evitar un contacto accidental con las mismas.
5. Siga las recomendaciones sobre el método correcto de instalación eléctrica de su ventilador de techo. Si no posee la experiencia o los conocimientos eléctricos adecuados, contrate a un electricista autorizado para instalar el ventilador.
6. Use solo con los kits de luz marcados como adecuados para usar lugares y húmedos.
7. Este ventilador es ideal para lugares secos y húmedos.
8. Apto para usar con controles de velocidad de estado sólido.

**ADVERTENCIA: PARA REDUCIR EL RIESGO DE DESCARGAS ELÉCTRICAS, ESTE VENTILADOR SE DEBE INSTALAR CON UN CONTROL/INTERRUPTOR DE PARED AISLADO.**

**ADVERTENCIA:** Este producto está diseñado para ser usado sólo con las piezas suministradas o los accesorios indicados específicamente para el mismo. Si utiliza piezas o accesorios que no están indicados para su uso con este producto, podría sufrir lesiones personales o dañar el ventilador.

**ADVERTENCIA:** Para reducir el riesgo de lesiones personales, no doble las aspas al instalar, balancear las aspas o limpiar el ventilador. No coloque objetos extraños entre las aspas del ventilador en funcionamiento.

**ADVERTENCIA:** Monte a una caja de salida aceptable para apoyo de los aficionados de 15.9 kg (35 lbs) o menos.

**AVERTISSEMENT:** Afin de réduire le risque d'incendie ou d'électrocution, Ne pas ce ventilateur ne doit être utilisé qu'avec la État solide commande de vitesse de ventilateur.

**AVERTISSEMENT:** Ce produit est conçu pour utiliser uniquement les pièces l'accompagnant et/ou les accessoires spécifiquement conçus pour ce produit. L'utilisation de pièces et/ou d'accessoires qui ne sont pas conçus pour être utilisés avec ce produit peut provoquer des blessures ou des dommages matériels.

**AVERTISSEMENT:** Afin de réduire le risque de blessure, ne pliez pas le pale lors de l'installation, de l'équilibrage des pales ou du nettoyage du ventilateur. N'insérez pas de corps étrangers entre les pales du ventilateur en rotation.

**AVERTISSEMENT:** Montez sur une boîte de sortie de support de ventilateur acceptable de 15,9 kg (35 lb) ou moins.

# GARANTÍA LIMITADA DE POR VIDA

Se extiende al comprador original del ventilador Fanimation solo desde un distribuidor/minorista autorizado de Fanimation

1. GARANTÍA LIMITADA DE POR VIDA DEL MOTOR - Si se produjera una falla en alguna de las partes del motor de su ventilador debido a un defecto en los materiales o en la fabricación durante el tiempo de vida del comprador original, Fanimation proporcionará la pieza de repuesto sin cargo una vez que el ventilador defectuoso sea devuelto a nuestro centro de servicios nacional. Se requiere comprobante de venta. El cliente se hará responsable de todos los gastos de remoción o reinstalación y envío del producto para reparaciones o sustitución.
2. GARANTÍA DE MANO DE OBRA DEL MOTOR POR UN AÑO - Si el motor de su ventilador fallara antes de cumplirse un año a partir del momento de su compra original debido a defectos en los materiales o en la fabricación, se le efectuará la reparación del mismo sin cargo en nuestro centro de servicios nacional. El comprador se hará responsable de los gastos de mano de obra luego del período de un año. El cliente se hará responsable de todos los gastos de remoción o reinstalación y envío del producto para reparaciones o sustitución.
3. Si otra pieza del ventilador fallara dentro del período de un año a partir de la fecha de compra original debido a un defecto en los materiales o en la fabricación, repararemos o sustituiremos, según creamos conveniente, la pieza defectuosa sin cargo alguno en nuestro centro de servicios nacional.
4. Debido a las diversas condiciones climáticas, esta garantía no cubre cambios en la terminación, incluidos oxidación, corrosión, falta de brillo o peladuras.
5. Esta garantía es nula y no se aplica a daños por instalación incorrecta, negligencia, accidentes, uso indebido, exposición al calor o a la humedad en exceso, o como resultado de cualquier modificación realizada al producto original.
6. Todos los gastos de remoción y reinstalación del ventilador son responsabilidad exclusiva del propietario, y no de la tienda que vendió el ventilador ni de Fanimation.
7. Fanimation se reserva el derecho de modificar o discontinuar un producto en cualquier momento, o sustituir cualquier pieza según lo establecido por esta garantía.
8. En ningún caso se podrá devolver un ventilador sin previa autorización por parte de Fanimation. Las devoluciones autorizadas deberán ir acompañadas del recibo de venta y deberán enviarse a Fanimation, previo pago del flete. El ventilador que se devuelva deberá estar embalado en forma adecuada a fin de evitar daños durante el transporte. Fanimation no se hará responsable de los daños que resulten del embalaje incorrecto del producto.
9. Se entiende que las reparaciones y las sustituciones son el único recurso disponible de Fanimation. No existe ninguna otra garantía expresa o implícita. Por la presente, Fanimation niega todas las garantías implícitas, que incluyen, entre otras, la comerciabilidad y la aptitud para determinado fin hasta donde la ley lo permita. Algunos estados no permiten limitaciones sobre las garantías implícitas. Fanimation no se hará responsable por daños accidentales, resultantes o especiales derivados del uso o el rendimiento del producto o en conjunción con éste, excepto en los casos en los que la ley así lo disponga. Esta garantía le otorga derechos legales especiales y es posible que también goce de otros derechos que pueden variar según el estado.
10. Es normal que se produzca un cierto movimiento oscilante y esto no debe considerarse un problema o defecto.

## Tabla de contenidos

Instrucciones para el desempaque .....	24	Cómo instalar su unidad del cubierta de interruptor/kit de luz. 34	
Uso eficiente de la energía en ventiladores de techo .....	25	Cómo utilizar su ventilador de techo .....	35
Requisitos eléctricos y estructurales .....	25	Lista de piezas .....	36
Cómo ensamblar el ventilador de techo .....	27	Ilustración del despiece .....	37
Cómo colgar el ventilador de techo. ....	29	Mantenimiento .....	38
Cómo realizar la instalación eléctrica del ventilador de techo. .	31	Limpieza de las aspas .....	38
Cómo instalar la carcasa de la cubierta .....	33	Solución de problemas .....	39
Cómo ensamblar las aspas su ventilador de techo. ....	33		

Este manual está diseñado para facilitar, en la medida de lo posible, el ensamblaje, la instalación, el funcionamiento y el mantenimiento de su ventilador de techo

## Herramientas necesarias para el ensamblaje (No incluido)

- Destornillador Phillips
- Destornillador de 1/4"
- Escalera de tijera
- Pelacables

### **ADVERTENCIA**

Antes de ensamblar el ventilador de techo, consulte la sección sobre el método correcto de instalación eléctrica del ventilador (página 31). Si siente que no posee la experiencia o los conocimientos eléctricos necesarios, contrate a un electricista autorizado para instalar el ventilador.

**NOTA:** coloque las piezas de las bolsas de piezas individuales en un contenedor pequeño para evitar que se extravíen. Si faltan piezas, póngase en contacto con su proveedor local.

## Materiales

La caja de distribución eléctrica y los conectores de la caja deben ser del tipo requerido por el código local. El cable más pequeño debe ser un cable de tres conductores (de dos conductores con conexión a tierra) del siguiente tamaño:

<u>longitud del cable instalado</u>	<u>tamaño del cable según el A.W.G.</u> <u>(Calibre de Alambre Estadounidense)</u>
hasta 15,2 m (50 pies) de	14
15,2 a 30,5 m (50 a 100 pies)	12

### **AVERTISSEMENT**

Reportez-vous à la section sur la méthode appropriée de câblage du ventilateur (page 31) avant d'assembler votre ventilateur de plafond. Faites installer votre ventilateur par un électricien agréé si vous pensez que vous n'avez pas assez de connaissances ou d'expérience en câblage.

# Instrucciones para el desempaque

Para su comodidad, marque cada uno de los pasos. A medida que completa cada paso, coloque una marca de verificación. Con esto se asegurará de completar todos los pasos y podrá saber desde dónde retomar si fuera interrumpido.

## ⚠ ADVERTENCIA

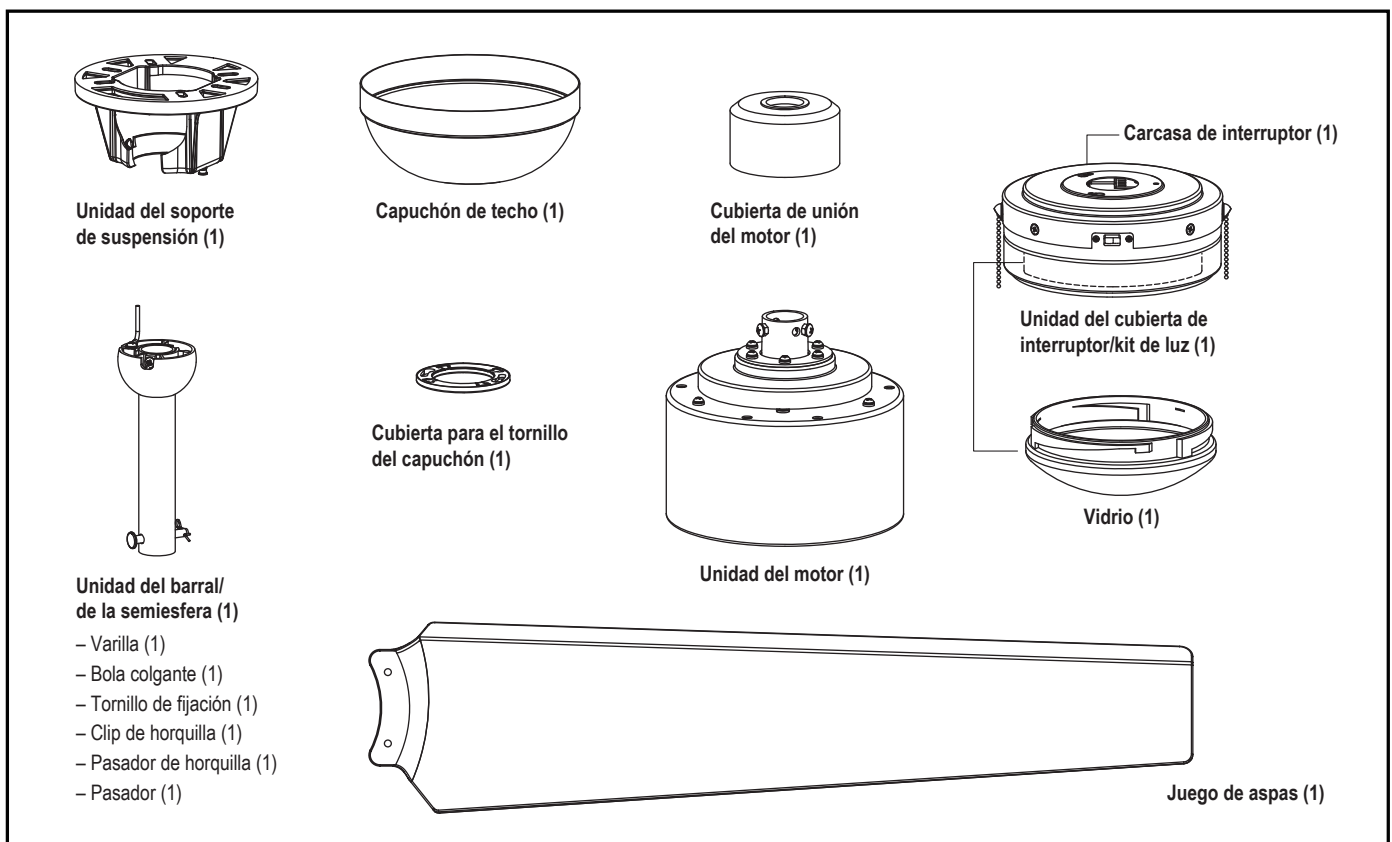
No instale ni utilice el ventilador si falta alguna pieza o si hay piezas dañadas. Este producto está diseñado para ser utilizado sólo con las piezas suministradas o los accesorios indicados por Fanimation específicamente para el mismo. La sustitución de piezas o accesorios que Fanimation no designó para usar con este producto podría ocasionar lesiones personales o daños en el ventilador. Póngase en contacto con su tienda si faltan piezas o hay piezas dañadas.

## ⚠ AVERTISSEMENT

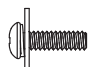
N'i nstallez pas et n'utilisez pas le ventilateur si l'une de ses pièces est endommagée ou manquante. Ce produit est conçu pour utiliser uniquement les pièces l'accompagnant et/ou les accessoires spécifiquement conçus pour ce produit par Fanimation. La substitution de pièces ou d'accessoires non conçus par Fanimation pour être utilisés avec ce produit peut provoquer des blessures ou des dommages matériels. Contactez votre lieu de vente en cas de pièces manquantes ou endommagées.


1. Verifique que haya recibido las siguientes piezas:

**NOTA:** Si no está seguro de la descripción de una pieza, consulte la ilustración del despiece.



### Bolsas de accesorios

 3/16"-24 Tornillo de cabeza troncocónica con arandela plana/arandela de resorte /arandela de goma (7)

 #8-32 Tornillos para cajas de conexiones, acero inoxidable (2)

 Arandela plana, acero inoxidable (2)

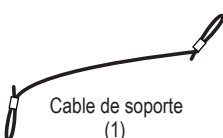
 Conectores de cable (4)

 Llavero de ventilador (1)

 Llavero de kit de iluminación (1)

 Acoplador de cadena de tirada (2)

### Kit de cable de seguridad

 Cable de soporte (1)

 Abrazadera del cable de soporte (1)

 Arandela plana, acero inoxidable (1)

 Tornillo de intervalo (1)



## Uso eficiente de la energía en ventiladores de techo

El nivel de rendimiento y ahorro de energía de los ventiladores de techo dependen de su correcta instalación y uso. A continuación le presentamos algunas sugerencias para asegurar un rendimiento eficiente del producto.

### Selección del lugar de montaje adecuado

Los ventiladores de techo se deben instalar en el centro de la habitación, a 2,13 m (7 pies) de altura del piso hasta la cuchilla como mínimo y 0,5 m (18 pulgadas) de las paredes hasta la cuchilla. Si la altura del techo lo permite, instale el ventilador a 2,5 m (8 - 9 pies) de altura del piso hasta la cuchilla para un flujo de aire óptimo. Consulte en su tienda minorista de Fanimation para obtener accesorios de montaje opcionales.

### Apague el ventilador cuando no se encuentre en la habitación

Los ventiladores son para refrescar a la gente, no a las habitaciones. Si la habitación está vacía, apague el ventilador de techo para ahorrar energía.

### Uso del ventilador de techo todo el año

**En verano:** Use el ventilador de techo en sentido contrario a las agujas del reloj. El flujo de aire que produce el ventilador creará un efecto frío del aire que lo refrescará más. Seleccione una velocidad que le proporcione una brisa confortable. Las velocidades más bajas consumen menos energía.

**En invierno:** Invierta el motor y haga funcionar el ventilador de techo a velocidad baja y en el sentido de las agujas del reloj. Esto produce una suave corriente ascendente, que obliga al aire cálido que se acumula cerca del techo a bajar al espacio ocupado. No olvide ajustar el termostato cuando utilice el ventilador de techo. Con este sencillo paso puede ahorrar energía adicional y dinero.

## Requisitos eléctricos y estructurales

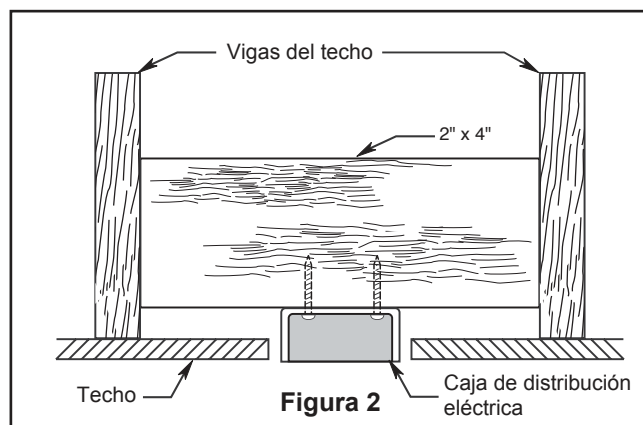
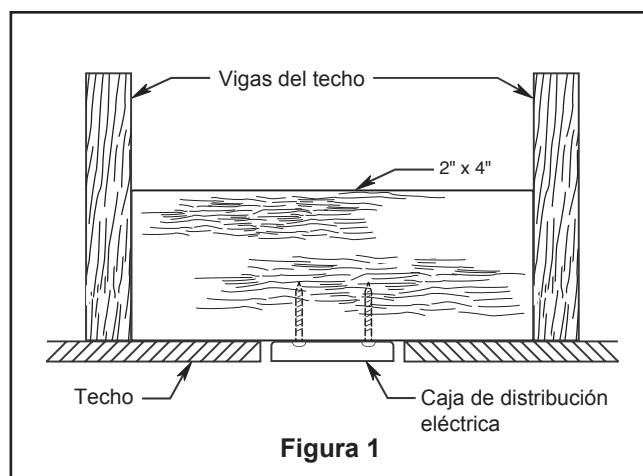
Su nuevo ventilador de techo requiere una línea de suministro eléctrico con conexión a tierra de 120 voltios de CA, 60 Hz, circuito de 15 amperios. La normativa eléctrica requiere el uso de una caja de distribución eléctrica para ventiladores que soporte el peso extra y el movimiento asociado a un ventilador de techo. La caja de distribución eléctrica será etiquetada como tal y soportará un ventilador de techo de un peso de hasta 70 libras. Dichas cajas varían en tipos y diseños. Asegúrese de que el tipo de su caja reúne los criterios para el ventilador que se está instalando. Las ilustraciones 1, 2 y 3 muestran las diferentes configuraciones estructurales que pueden ser utilizadas para dicha caja de distribución eléctrica.

### Uso de perfil bajo (Figura 1)

La caja lisa de 1/2 pulgada de profundidad será atornillada a una viga o bloque. Se utilizará si solo un cable va a ser introducido en la caja. También está disponible en una configuración de montaje endosado.

### Uso de perfil profundo (Figura 2)

La caja de 2-1/4 pulgada será atornillada a un bloque entre vigas que tenga suficiente espacio para colocar más de un cable.



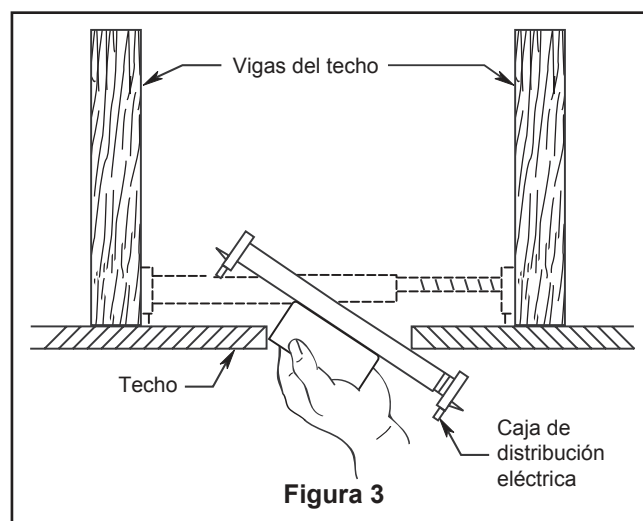
## Requisitos eléctricos y estructurales (cont.)

### Uso del soporte (Figura 3)

Conectado a una caja de distribución eléctrica, este colgador sirve para abarcar el espacio entre dos vigas y ocupar el lugar de bloqueo de la madera.

#### **⚠ ADVERTENCIA**

Para reducir el riesgo de incendios, descargas eléctricas o lesiones personales, fije el ventilador a la caja de distribución eléctrica marcada como aceptable para soporte de ventilador de 15,88kg (35lb). Utilice los tornillos suministrados con la caja de distribución eléctrica. La mayoría de las cajas de distribución eléctrica que comúnmente se utilizan como soporte de lámparas no son aptas para soporte de ventiladores y es posible que deban reemplazarse. Consulte a un electricista calificado si tiene dudas.



#### **⚠ AVERTISSEMENT**

Pour réduire le risque d'incendie, d'électrocution ou de blessure, montez sur une boîte de sortie indiquée comme étant acceptable pour supporter un ventilateur. La plupart des boîtes de sortie communément utilisées pour supporter les luminaires ne sont pas acceptables pour supporter des ventilateurs et devraient être remplacées. Consultez un électricien qualifié en cas de doutes.

Si su ventilador va a sustituir una instalación de iluminación existente, desconecte la electricidad de la caja del fusible principal en esta ocasión y extraiga la unidad de iluminación.

#### **⚠ ADVERTENCIA**

Apagar el interruptor de pared no es suficiente. Para evitar posibles descargas eléctricas, asegúrese de que la electricidad esté desconectada en la caja de fusibles principal antes de realizar la instalación eléctrica. Toda instalación eléctrica debe cumplir con los códigos nacionales y locales y el ventilador de techo debe tener la conexión a tierra adecuada como forma de precaución ante posibles descargas eléctricas.

#### **⚠ AVERTISSEMENT**

Éteindre l'interrupteur mural ne suffit pas. Pour éviter tout risque d'électrocution, assurez-vous que l'alimentation électrique est coupée au niveau du boîtier à fusibles principal avant d'effectuer le câblage. Le câblage doit être entièrement conforme aux codes nationaux et locaux, et le ventilateur de plafond doit être correctement mis à la terre par mesure de précaution contre les risques d'électrocution.

#### **⚠ ADVERTENCIA**

A fin de evitar incendios o descargas eléctricas, siga con cuidado todas las instrucciones de instalación eléctrica. Cualquier trabajo eléctrico que no se describa en estas instrucciones deberá ser realizado o aprobado por un electricista autorizado.

#### **⚠ AVERTISSEMENT**

Respectez attentivement toutes les instructions de câblage pour éviter tout incendie ou électrocution. Tout travail électrique non décrit dans ces instructions doit être fait ou approuvé par un électricien agréé.

#### **⚠ ADVERTENCIA**

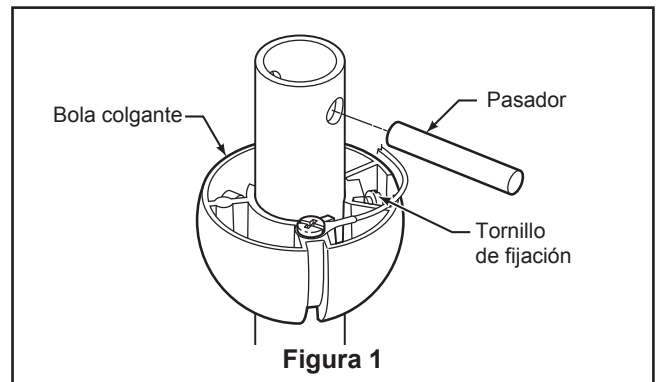
No utilice este ventilador con un controlador variable de pared (Rheostat) o un regulador de intensidad. Si lo hiciera podría dañar la unidad del mando a distancia del ventilador de techo.

#### **⚠ AVERTISSEMENT**

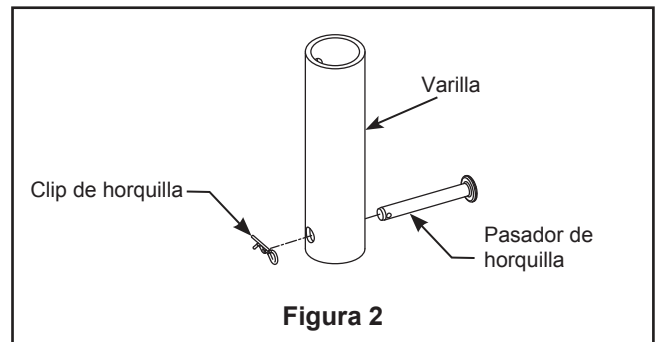
N'utilisez pas ce ventilateur avec un contrôleur mural (rhéostat) variable ou un gradateur. Cela pourrait endommager la télécommande du ventilateur de plafond.

## Cómo ensamblar el ventilador de techo

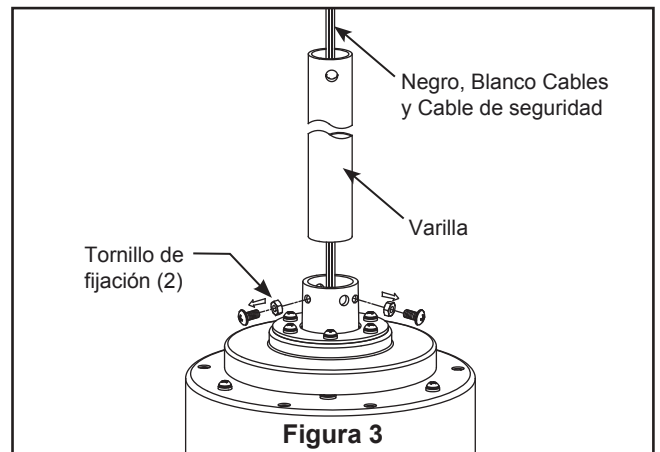
1. Extraiga la pieza de la bola colgante de la unidad de la bola colgante/varilla aflojando el tornillo de presión de la bola colgante hasta que la bola se libere de la varilla. Retire el pasador del barral y luego extraiga la semiesfera. Conserve el pasador y la semiesfera para su reinstalación en el Paso 6. (Figura 1)



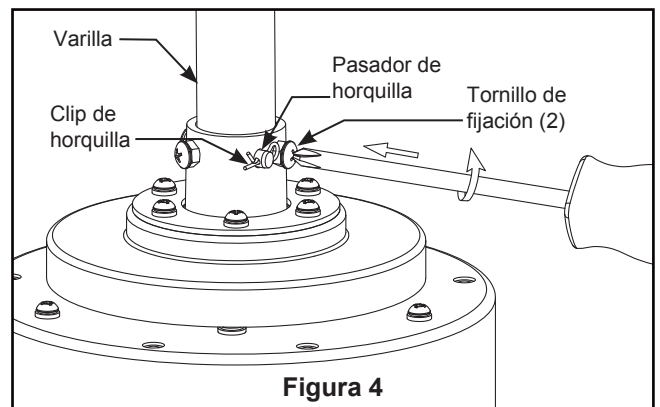
2. Retire el clip de horquilla y pasador de horquilla de la parte inferior de la bola para colgar. Retener el pasador y clip para la reinstalación en el paso 4. (Figura 2)



3. Afloje los dos tornillos de fijación del soporte del barral de soporte para techo a través de la varilla. Introduzca los cables de color negro, blanco y cable de seguridad a través de la varilla. (Figura 3)



4. Coloque el soporte de la varilla y alinee los orificios de la clavija de horquilla en ambas piezas. Instale la clavija de horquilla y asegurela con la pinza de horquilla. Instale los set de tornillos con tuercas en el soporte de la varilla. Fije con seguridad el set de tornillos con el destornillador y luego fije bien las tuercas con una llave hexagonal. (Figura 4)



### ⚠ ADVERTENCIA

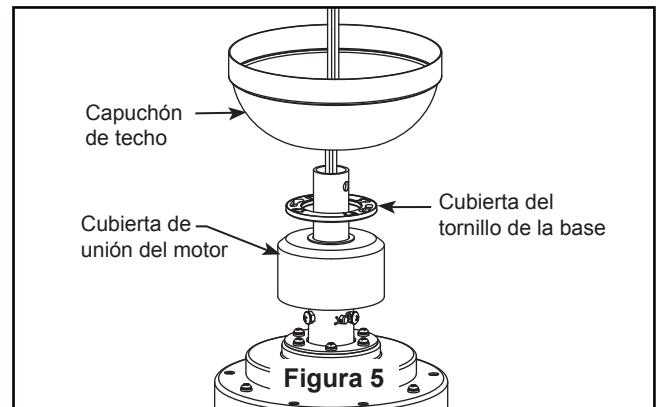
Es fundamental que instale correctamente el pasador de horquilla en el soporte de la varilla, y que ajuste firmemente los tornillos de fijación y las tuercas. El incumplimiento de dicho paso podría hacer que el ventilador se caiga.

### ⚠ AVERTISSEMENT

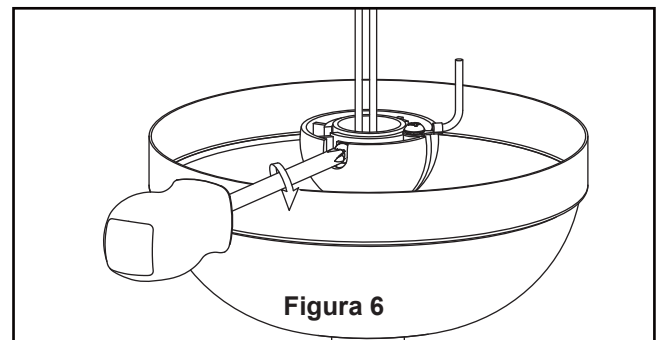
Il est crucial que l'axe à épaulement dans le support de la tige de suspension descendante soit correctement installé. Le ventilateur risque de tomber si vous ne vérifiez pas que l'axe et la pince de retenue sont correctement installés.

## Cómo ensamblar el ventilador de techo (cont.)

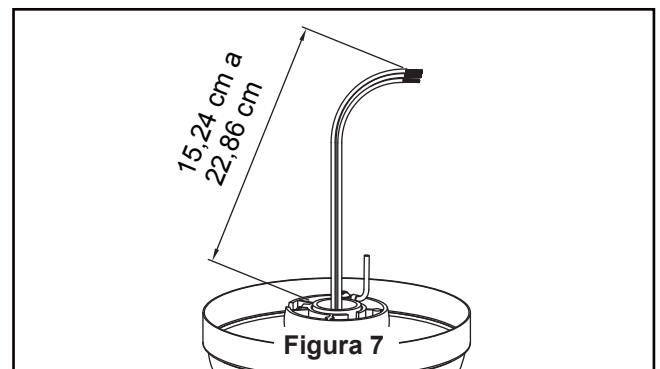
5. Pase los cables y cable de seguridad a través de la cubierta de unión del motor, la cubierta para el tornillo de la cubierta del capuchón y el capuchón. (Figura 5)



6. Vuelva a colocar la semiesfera en el barral como se indica a continuación. Pase los cables de negro, blanco cables y cable de soporte para techo a través de la semiesfera. Pase el pasador a través de los dos orificios en el barral y alinee la semiesfera de modo que el pasador quede atrapado en la ranura de la parte superior de la misma. Empuje la semiesfera hacia arriba, bien ajustada contra el pasador. Ajuste firmemente el tornillo de fijación en la semiesfera. Si el tornillo de fijación está flojo, podría provocar oscilación del ventilador. (Figura 6)



7. Corte el exceso de cable aproximadamente de 15 a 23 cm (6 a 9 pulgadas) por encima de la parte superior del barral. Pele 1,2 cm (1/2") del aislamiento en cada extremo del cable. (Figura 7)



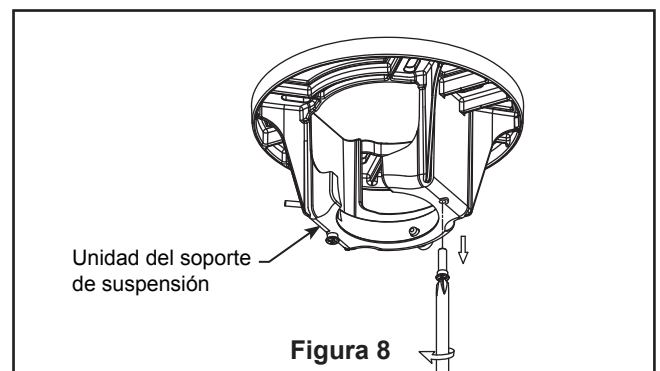
### PRECAUCIÓN

Se deben revisar todos los tornillos de fijación y volver a ajustarlos cuando sea necesario antes de realizar la instalación.

### ATTENTION

Toutes les vis de réglage doivent être vérifiées et resserrées nécessaire avant l'installation.

8. Extraiga una de los tornillos de hombro en el soporte del gancho y guarde los tornillos para pasos posteriores. Afloje el segundo tornillo de hombro sin extraiga completamente. (Figura 8)



# Cómo colgar el ventilador de techo

## ⚠️ ADVERTENCIA

Para evitar una posible descarga eléctrica, asegúrese de cortar la alimentación eléctrica de la caja de fusibles principal antes de colgar el ventilador. (Figura 1)

## ⚠️ AVERTISSEMENT

Assurez-vous que l'alimentation électrique est coupée au niveau du boîtier à fusibles principal avant de suspendre le ventilateur afin d'éviter tout risque d'électrocution. (Figure 1)

**NOTA:** Si no está seguro de si la caja de salida tiene conexión a tierra, pida consejo a un electricista certificado, ya que debe tener conexión a tierra para un funcionamiento seguro.

## ⚠️ ADVERTENCIA

Debe colgar el ventilador a una distancia mínima de 2,13 m desde las aspas hasta el piso. (Figura 2)

## ⚠️ AVERTISSEMENT

Le ventilateur doit être accroché de façon à ce que ses pales soient au moins à 7 pieds. (Figure 2)

## ⚠️ ADVERTENCIA

La caja de distribución eléctrica debe estar bien asegurada y debe ser capaz de soportar una carga de al menos 15.9kg (35lb). El soporte de suspensión debe estar colocado firmemente contra la caja de distribución eléctrica. Si la caja de distribución eléctrica está empotrada, retire la tablaroca hasta que el soporte haga contacto con la caja. Si el soporte o la caja de distribución eléctrica no están bien asegurados, el ventilador podría oscilar o caerse.

## ⚠️ AVERTISSEMENT

La boîte de sortie doit être solidement ancrée et acceptable pour supporter un ventilateur de 15,9 kg (35 livres) au moins. Le support de suspension doit reposer fermement contre la boîte de sortie. Si la boîte de sortie est encastrée, retirez le panneau de revêtement jusqu'à ce que le support entre en contact avec la boîte. Si le support et/ou la boîte ne sont pas solidement attachés, le ventilateur risque d'osciller ou même de tomber.

1. Fije adecuadamente el soporte colgante a la caja de empalme del techo que sea aceptable para el soporte del techo. Usando los tornillos de la caja de salida #8-32 y las arandelas planas suministrado con el ventilador. (Figura 3)

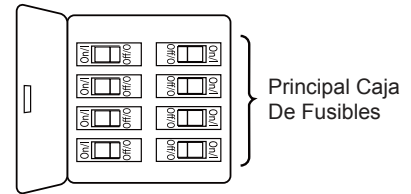


Figura 1

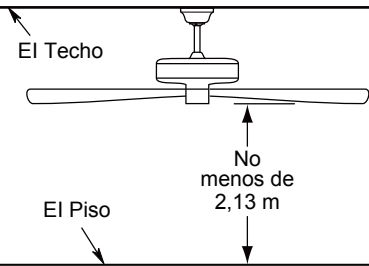


Figura 2

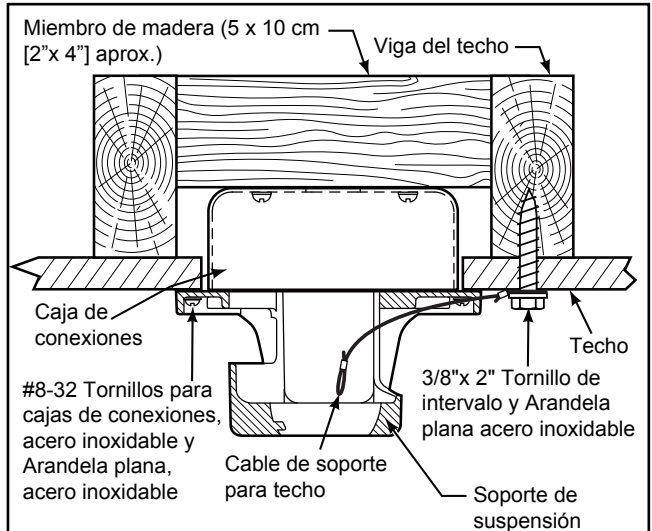


Figura 3

### Aditamentos utilizados:

Cable de soporte		x 1
Tornillo de intervalo		x 1
Arandela plana, acero inoxidable		x 1
#8-32 Tornillos para cajas de conexiones, acero inoxidable		x 2
Arandela plana, acero inoxidable		x 2

## Cómo colgar el ventilador de techo (cont.)

2. Perfore un orificio de 1/4" en la estructura del edificio para evitar grietas con la instalación del tornillo de intervalo. Utilice el tornillo de intervalo de 3/8"x 2" y la arandela plana para fijar el cable de seguridad a la viga del techo o a la estructura de madera. Dicho tornillo pasará a través de arandela plana, la presilla del cable de seguridad y se fijará en la estructura del edificio. (Figura 3)

**NOTA:** El cable de soporte para techo no se puede asegurar solamente a la caja de conexiones; se debe asegurar directamente a la viga de techo o miembro estructural con el tornillo de cabeza cuadrada de 3/8"x2" y la arandela plana. (Figura 3)

### PRECAUCIÓN

No conecte las aspas hasta que el ventilador esté totalmente instalado. Instalar el ventilador con las aspas colocadas podría ocasionar daños en las mismas.

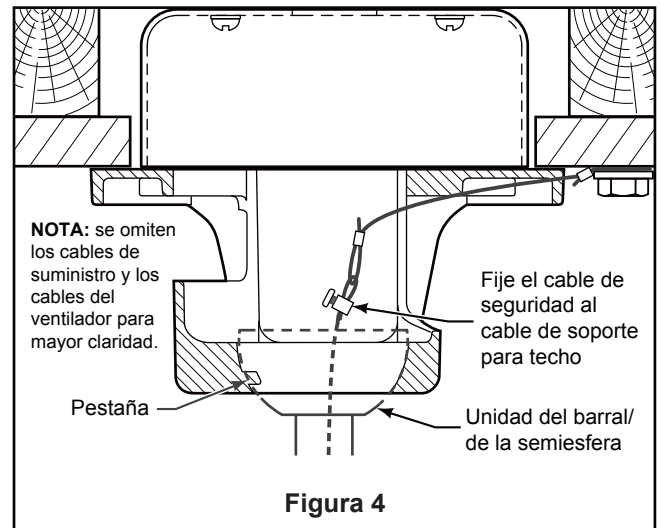
### ATTENTION

Ne raccordez pas les pales du ventilateur tant que le ventilateur n'est pas complètement installé. Suspendre un ventilateur avec des lames raccordées peut endommager les pales du ventilateur.

3. Asegúrese de que los cables de suministro eléctrico, incluido el cable de conexión a tierra del soporte de suspensión y el cable de seguridad, hayan atravesado el barral, entre el soporte de suspensión y la caja de conexiones, de modo que más tarde se pueda realizar la instalación eléctrica.

4. Levante cuidadosamente el ventilador y coloque el ensamble de la bola para colgar/varilla en la abrazadera para colgar que acaba de fijar a la caja de salida. Asegúrese de que la ranura de la bola esté alineada con la lengüeta de la abrazadera para colgar. (Figura 4)

5. Fije el cable de seguridad al cable de soporte para techo. Deslice la abrazadera de cables por el cable de seguridad (del ventilador). Pase el extremo del cable a través del aro que forma el cable de soporte para techo. Tire lo más posible del cable a través del aro. Inserte el extremo del cable en el orificio de la abrazadera y ajuste firmemente el tornillo. (Figura 4)



### Aditamentos utilizados:

Abrazadera del cable de soporte  x 1

### ⚠ ADVERTENCIA

Para evitar una posible descarga eléctrica, no apriete los cables entre el ensamble de la bola para colgar y la abrazadera para colgar.

### ⚠ ADVERTENCIA

Si no coloca la lengüeta en la ranura, podrían dañarse los cables eléctricos y podrían ocurrir incendios o descargas eléctricas.

### ⚠ AVERTISSEMENT

Ne pincez pas les fils entre la tige de suspension descendante et le support de suspension éviter toute électrocution.

### ⚠ AVERTISSEMENT

Si vous n'installez pas la languette dans la rainure, vous risquez d'endommager les fils électriques et de causer éventuellement une décharge électrique ou un incendie.

# Cómo realizar la instalación eléctrica del ventilador de techo

## **⚠ ADVERTENCIA**

Para evitar una posible descarga eléctrica, asegúrese de cortar la alimentación eléctrica de la caja de fusibles principal antes de cableado el ventilador. (Figura 1)

## **⚠ AVERTISSEMENT**

Pour éviter tout risque d'électrocution, assurez-vous que l'alimentation électrique est coupée au niveau du boîtier à fusibles principal avant d'effectuer le câblage. (Figure 1)

**NOTA:** Si no está seguro de si la caja de salida tiene conexión a tierra, pida consejo a un electricista certificado, ya que debe tener conexión a tierra para un funcionamiento seguro.

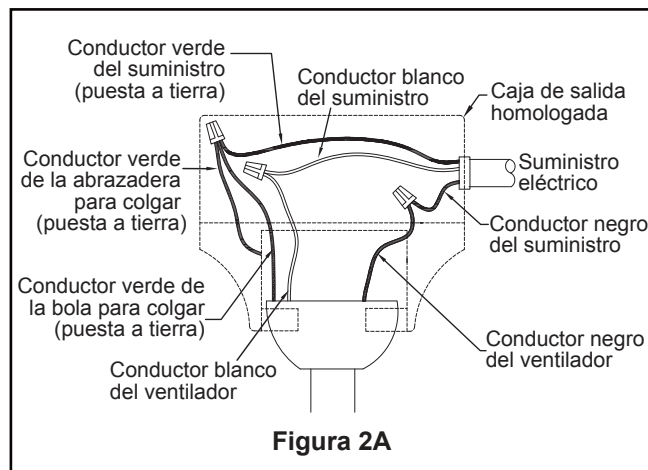
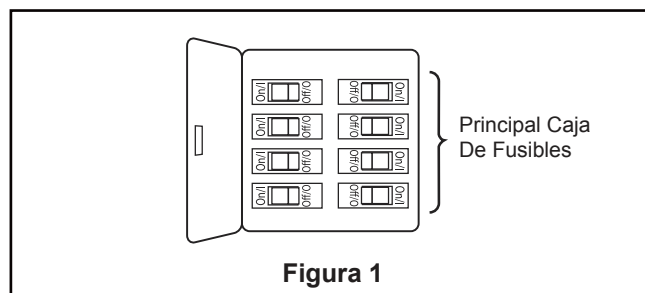
**NOTA:** Si siente que no tiene suficientes conocimientos o experiencia en cableado eléctrico, pida a un electricista autorizado que instale su ventilador.

### **Opción A- solo con cables de alimentación en blanco y negro**

1. Conecte el conductor verde del ensamble de la varilla y el conductor verde con puesta a tierra de la abrazadera para colgar al conductor de suministro con puesta a tierra (posiblemente un conductor desnudo o un cable con aislante verde). Conecte los conductores con conectores de cables de forma segura. Conecte el conductor blanco del motor del ventilador al conductor blanco (neutro) mediante el conector de forma segura. Conecte de forma segura el conductor negro del motor del ventilador al conductor negro del suministro mediante el conector. (Figura 2A)
2. Una vez haya hecho las conexiones, teniendo cuidado de no pillar los cables. Poniendo los cables blancos y verdes a un lado de la caja y los negros hacia el otro lado. Coloque los cables hacia arriba y empújelos cuidadosamente hacia dentro de la caja de la toma de corriente, los cables deben ser colocados de forma extendida poniendo el conductor de la toma de tierra y el conductor de toma de tierra del equipo a un lado de la caja, colocando el conductor sin toma de tierra en el otro lado de la caja. (Figura 3A)

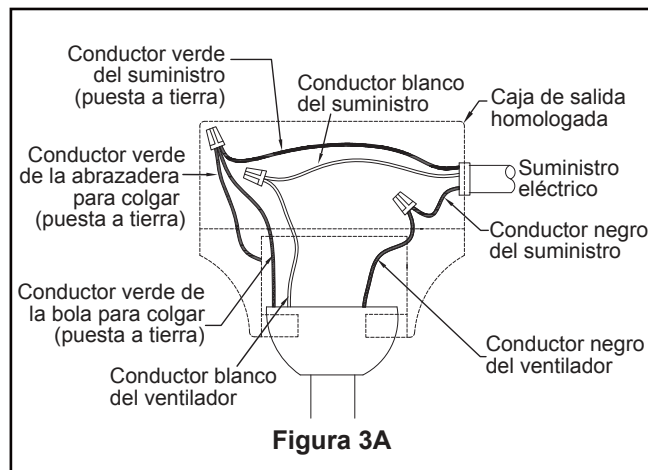
## **⚠ ADVERTENCIA**

Verifique que todas las conexiones estén ajustadas, incluida la conexión a tierra, y que no haya conductores desnudos visibles en los conectores, excepto el conductor con conexión a tierra. No opere el ventilador hasta que las aspas estén instaladas. Podría ocasionar ruidos y daños al motor.



### **Aditamentos utilizados:**

Conectores de cable  x 3



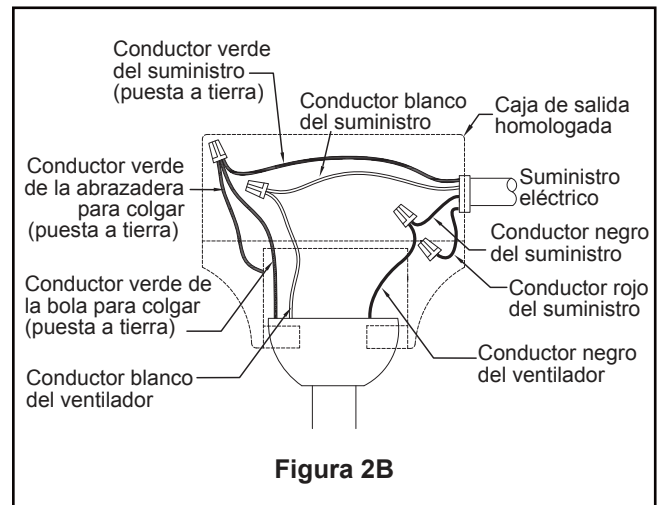
## **⚠ AVERTISSEMENT**

Vérifiez que tous les raccordements sont bien serrés, y compris la mise à la terre, et qu'aucun fil dénudé n'est visible au niveau des capuchons de connexion, à l'exception du fil de mise à la terre. Ne faites pas fonctionner le ventilateur avant d'avoir installé les pales. Du bruit et des dommages au ventilateur pourraient en résulter.

# Cómo realizar la instalación eléctrica del ventilador de techo (cont.)

## Opción B - cables de suministro negro, blanco y rojo

1. Conecte el conductor verde del ensamble de la varilla y el conductor verde con puesta a tierra de la abrazadera para colgar al conductor de suministro con puesta a tierra (posiblemente un conductor desnudo o un cable con aislante verde). Conecte los conductores con conectores de cables de forma segura. Conecte el conductor blanco del motor del ventilador al conductor blanco (neutro) mediante el conector de forma segura. Conecte el conductor negro del motor del ventilador al conductor negro mediante el conector de forma segura. Segure el cable de suministro rojo con cable conector. (Figura 2B)



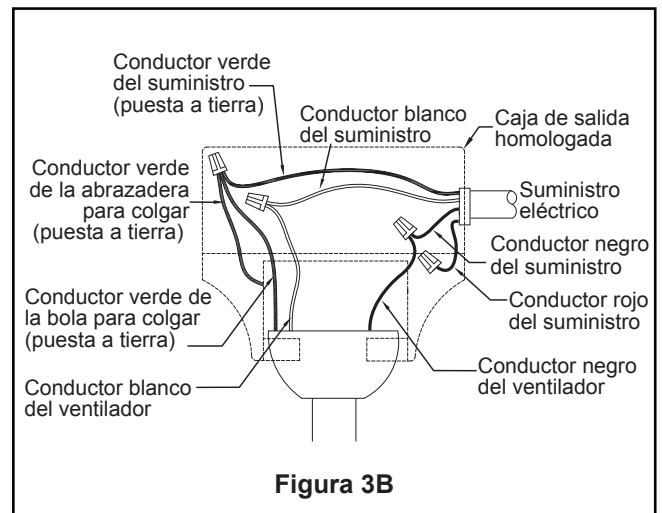
### Aditamentos utilizados:

Conectores de cable



x 4

2. Una vez haya hecho las conexiones, teniendo cuidado de no pillar los cables. Poniendo los cables blancos y verdes a un lado de la caja y los negros hacia el otro lado. Coloque los cables hacia arriba y empújelos cuidadosamente hacia dentro de la caja de la toma de corriente, los cables deben ser colocados de forma extendida poniendo el conductor de la toma de tierra y el conductor de toma de tierra del equipo a un lado de la caja, colocando el conductor sin toma de tierra en el otro lado de la caja. (Figura 3B)



### **⚠ ADVERTENCIA**

Verifique que todas las conexiones estén ajustadas, incluida la conexión a tierra, y que no haya conductores desnudos visibles en los conectores, excepto el conductor con conexión a tierra. No opere el ventilador hasta que las aspas estén instaladas. Podría ocasionar ruidos y daños al motor.

### **⚠ AVERTISSEMENT**

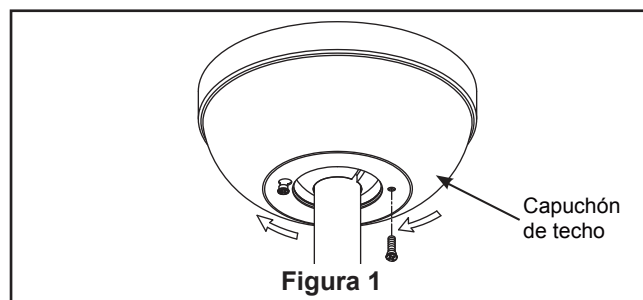
Vérifiez que tous les raccordements sont bien serrés, y compris la mise à la terre, et qu'aucun fil dénudé n'est visible au niveau des capuchons de connexion, à l'exception du fil de mise à la terre. Ne faites pas fonctionner le ventilateur avant d'avoir installé les pales. Du bruit et des dommages au ventilateur pourraient en résulter.



## Cómo instalar la carcasa de la cubierta

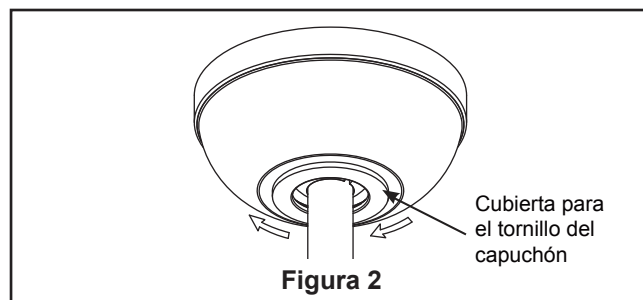
**NOTA:** Este paso se debe realizar luego de completar la instalación eléctrica necesaria.

1. Instale la cubierta rotando la ranura clave en la cubierta sobre el tornillo de hombro del soporte del gancho, teniendo cuidado de no pillar los cables. Fije el tornillo de hombro. Instale adecuadamente y fije el segundo tornillo de hombro que fue anteriormente guardado. (Figura 1)



**⚠ ADVERTENCIA**  
Para evitar posibles incendios o descargas eléctricas, asegúrese de que los cables eléctricos se encuentren completamente adentro de la cubierta del capuchón y de que no estén aprisionados entre la cubierta y el techo.

**⚠ AVERTISSEMENT**  
Pour éviter tout risque d'incendie ou de choc, assurez-vous que les fils électriques sont complètement à l'intérieur du boîtier de la monture et qu'ils ne sont pas pincés entre le boîtier et le plafond.



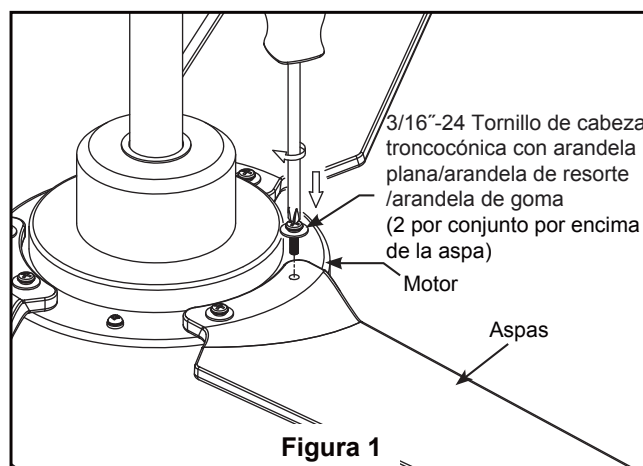
2. Coloque y ajuste firmemente la cubierta para el tornillo de la base sobre los tornillos de reborde de la abrazadera para colgar mediante el mecanismo de seguro por giro del chavetero. (Figura 2)

## Cómo ensamblar las aspas su ventilador de techo

**NOTA DE INSTALACIÓN**  
No conecte las aspas hasta que el ventilador esté totalmente instalado. Instalar el ventilador con las aspas colocadas podría ocasionar daños en las mismas.

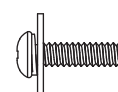
**⚠ ADVERTENCIA**  
Para reducir el riesgo de lesiones personales, no doble las aspas al instalar, balancear o limpiar el ventilador. No coloque objetos extraños entre las aspas del ventilador en funcionamiento.

**⚠ AVERTISSEMENT**  
Afin de réduire le risque de blessure, ne pliez pas les porte-pales lors de l'installation, de l'équilibrage des pales, ou du nettoyage du ventilateur. N'insérez pas de corps étrangers entre les pales en rotation.



### Aditamentos utilizados:

3/16"-24 Tornillo de cabeza troncocónica con arandela plana/arandela de resorte /arandela de goma



x 6

1. Coloque la pala sobre el motor, alineando los orificios de la pala con los orificios de la parte superior del motor giratorio. Asegúrese de que la pala esté completamente asentada en el motor giratorio e instale los tornillos de cabeza troncocónica con arandela plana/arandela de resorte/arandela de goma. (Figura 1)

# Cómo instalar su unidad del cubierta de interruptor/kit de luz

## PRECAUCIÓN

A fin de reducir el riesgo descargas eléctricas, desconecte el circuito de suministro eléctrico al ventilador antes de instalar el kit de iluminación.

## ATTENTION

Pour réduire le risque d'électrocution, débranchez le circuit d'alimentation électrique du ventilateur avant d'installer le kit d'éclairage.

1. Desarme la unidad del cubierta de interruptor/kit de luz de la carcasa de interruptor retirando cuatro tornillos. Guárdelos para el paso 4. (Figura 1)
2. Extraiga uno de los tres tornillos del soporte colgant. Afloje ligeramente los dos tornillos restantes. Instale la carcasa de interruptor en el soporte usando las dos ranuras claves de la carcasa de interruptor. Vuelva a colocar el tercer tornillo y fije los tres tornillos adecuadamente. (Figura 2)
3. Fije firmemente el conector de 3 pasadores y 2 pasadores de la unidad del motor al enchufe del mazo de cables dentro de la unidad del cubierta de interruptor/kit de luz. (Figura 3)
4. Ensamble la unidad del cubierta de interruptor/kit de luz al carcasa de interruptor del soporte con tornillos retirados previamente. (Figura 4)

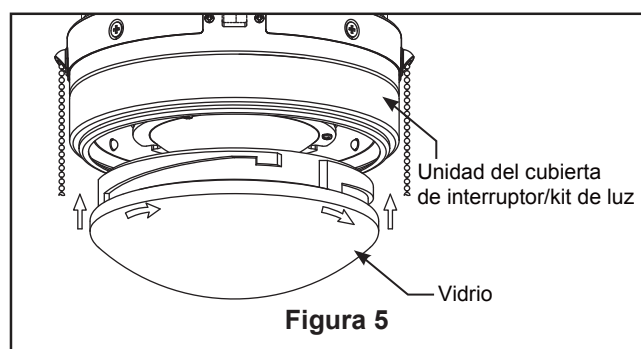
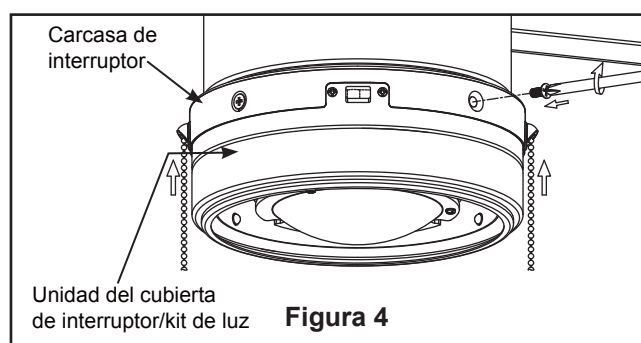
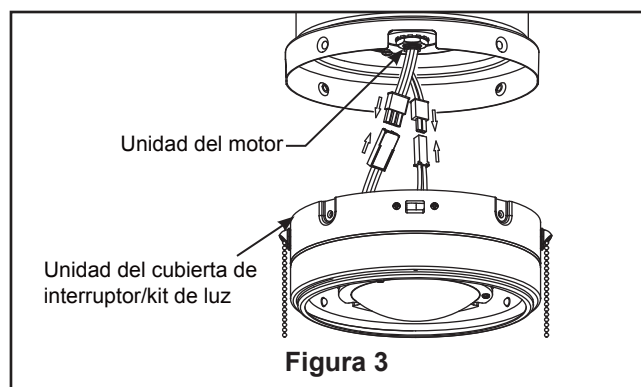
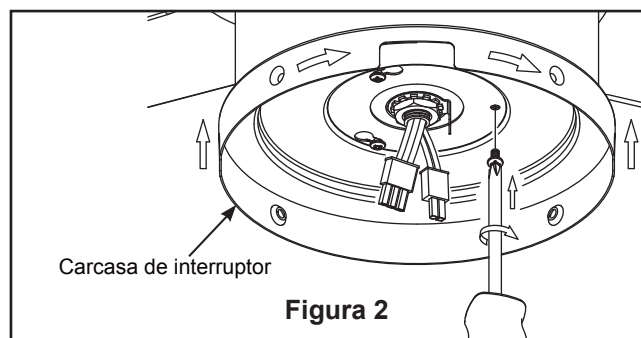
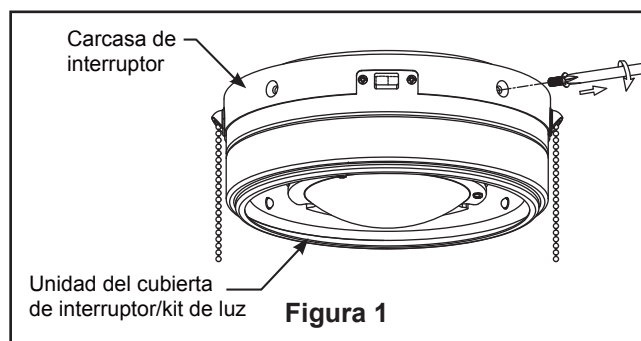
## PRECAUCIÓN

La fuente de luz está diseñado para esta aplicación específica y puede recalentarse si reparado por personal no capacitado. Si se requiere ningún tipo de servicio, el producto debe ser devuelto a un centro de servicio autorizado para su revisión o reparación.

## ATTENTION

La source lumineuse est conçue pour cette application spécifique et peut surchauffer si par un personnel non formé. Si un entretien est nécessaire, le produit doit être retourné à un centre de service agréé pour examen ou réparation.





5. Asegure el vidrio en la unidad del cubierta de interruptor/kit de luz girándolo en el sentido de las agujas del reloj. Gire el vidrio gradualmente hasta que encaje en la unidad del cubierta de interruptor/kit de luz. Sin apretar demasiado. (Figura 5)



## Cómo utilizar su ventilador de techo

1. Restaure la fuente de alimentación de la toma de corriente enciendiendo la electricidad del fusible principal. (Figura 1)

2. Instale el acoplador de la cadena del tirador del ventilador y iluminación. (Figura 2)

Aditamentos utilizados:			
Llavero de ventilador		x 1	
Acoplador de cadena de tirada		x 1	
Llavero de kit de iluminación		x 1	
Acoplador de cadena de tirada		x 1	

3. Verifique el funcionamiento del ventilador jalando suavemente de la cadena del tirador del ventilador. (Figura 3)

Secuencia de funcionamiento de la cadena del tirador del ventilador	
1. <sup>a</sup> tirada	Alta
2. <sup>a</sup> tirada	Media
3. <sup>a</sup> tirada	Baja
4. <sup>a</sup> tirada	Apagado

4. Verifique el funcionamiento de la luz jalando suavemente de la cadena del tirador del kit de iluminación. (Figura 4)

Secuencia de funcionamiento de la cadena del tirador del kit de iluminación	
1. <sup>a</sup> tirada	Encendido
2. <sup>a</sup> tirada	Oscurecimiento
3. <sup>a</sup> tirada	Deja de atenuar
4. <sup>a</sup> tirada	Apagado

5. Si desea que el flujo de aire se desplace en la dirección opuesta, apague el ventilador y espere a que las aspas se detengan. Luego deslice el conmutador inversor a la posición contraria y vuelva a encender el ventilador. (Figura 5)

Información sobre el interruptor de reversa		
Temporada	Dirección de rotación	Posición del interruptor
Verano	En dirección con traria a las manecillas del reloj	Izquierda
Invierno	En dirección de las manecillas del reloj	Derecha

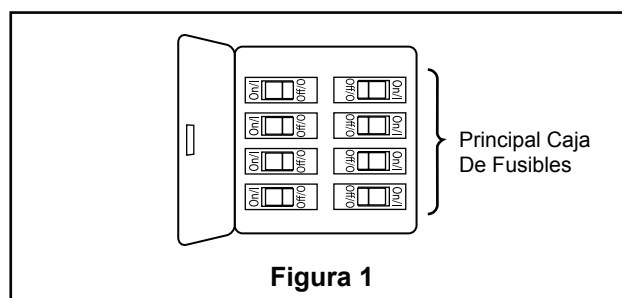


Figura 1

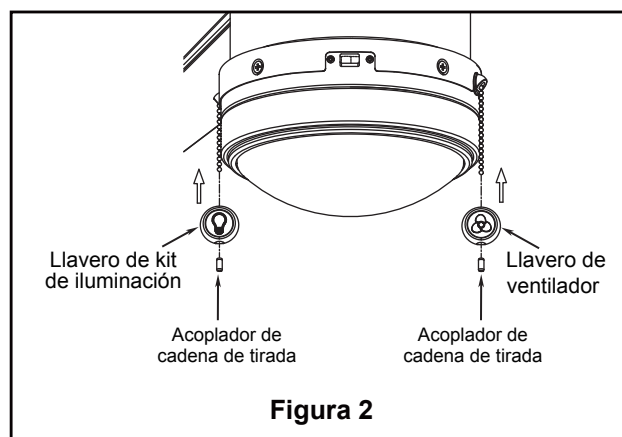


Figura 2

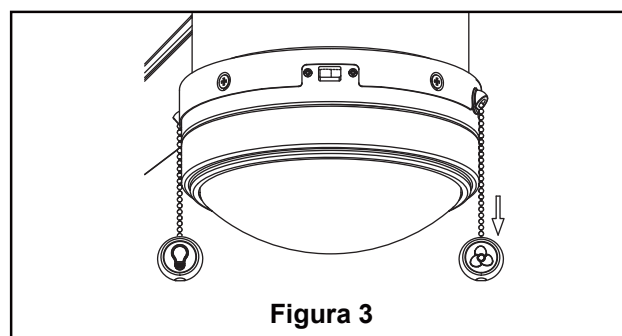


Figura 3

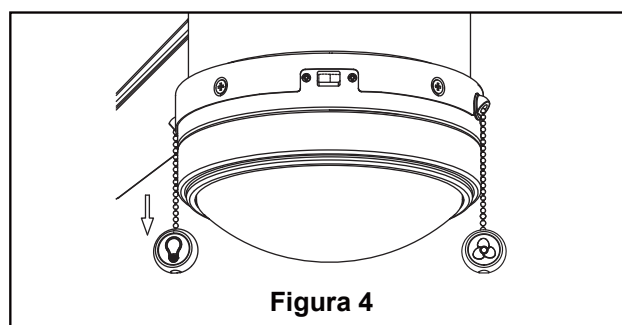


Figura 4

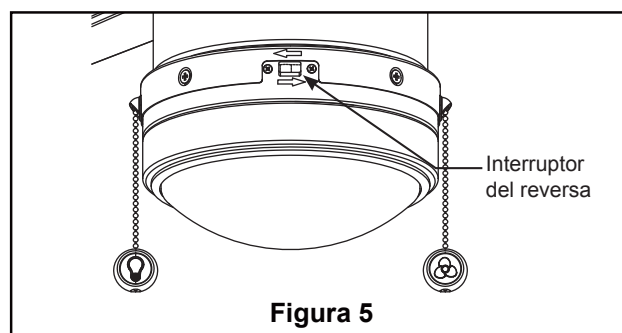


Figura 5

# Lista de piezas

Modelos N.º FPD7619\*\*

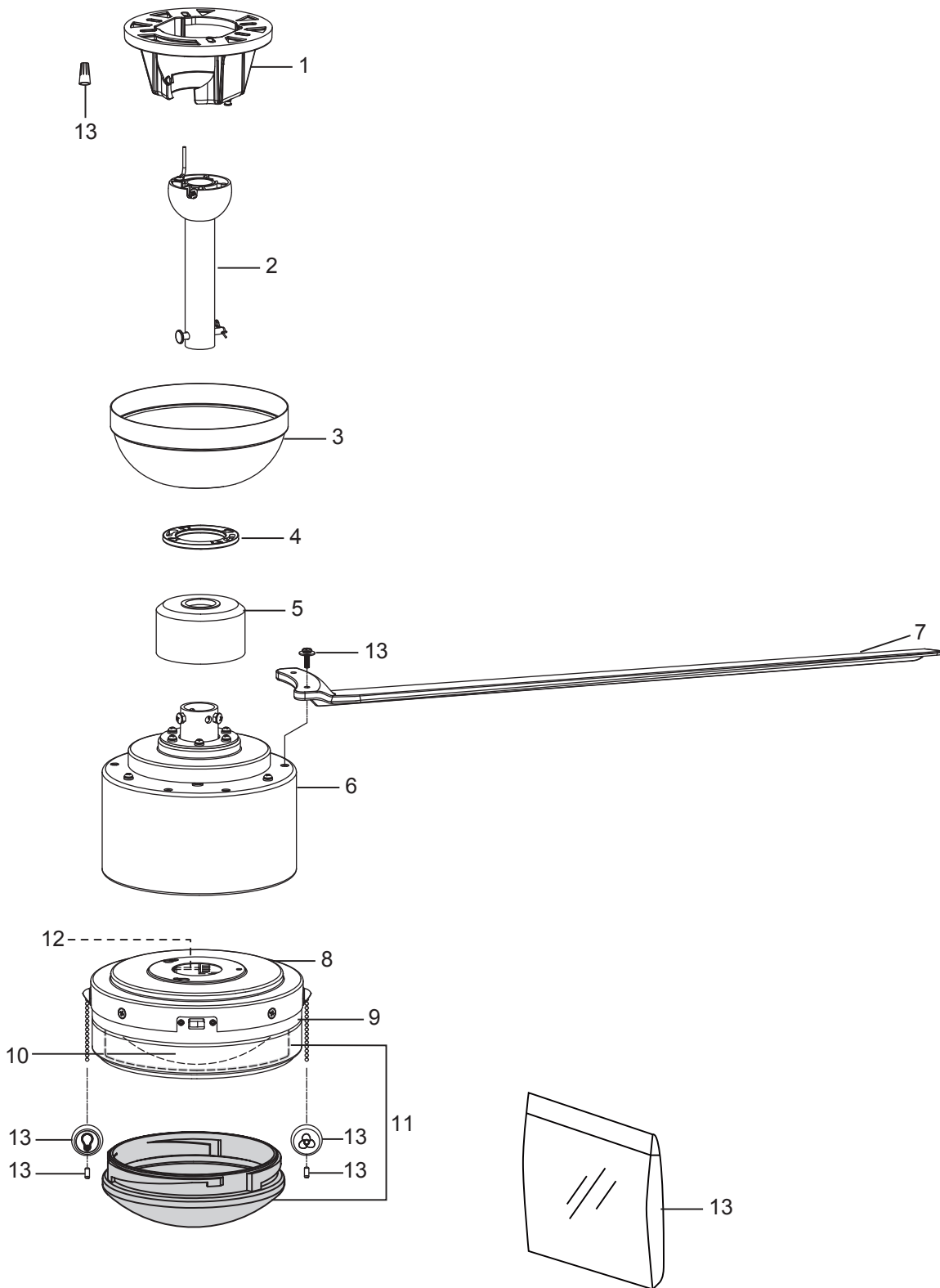
N.º de Ref.	Descripción	Pieza # N.º
1	Unidad del soporte de suspensión	AP255BL
2	Unidad del barral/de la semiesfera	ADR1SS-6**
3	Capuchón de techo	P799301**
4	Cubierta para el tornillo del capuchón	AP260**
5	Cubierta de unión del motor	APPAC1410**
6	Unidad del motor	AMA7619**
7	Juego de aspas	AP761703**
8	Carcasa de interruptor	P761901**
9	Unidad del cubierta de interruptor/kit de luz	AP761903**
10	Unidad de LED	AP761906
11	Ensamble de la placa de iluminación/vidrio	AP761904OP
12	Controladora	PPSTPCC761700
13	<b>Bolsa de accesorios que contiene:</b>	HDWFPD7619**
	Conectores de cables (4)	
	Llavero de ventilador (1)	
	Acoplador de cadena de tirada (1)	
	Llavero de kit de iluminación (1)	
	Acoplador de cadena de tirada (1)	
	Kit de cable de seguridad	
	#8-32 Tornillos para cajas de conexiones, acero inoxidable (2)	
	Arandela plana, acero inoxidable (2)	
	<b>Bolsa de accesorios para el montaje de aspas que contiene:</b>	
3/16"-24 Tornillo de cabeza troncocónica con arandela plana/arandela de resorte/arandela de goma (7)		

\*\* Inserte los CÓDIGOS DE ACABADO (consulte el número de modelo del ventilador que se encuentra en el soporte de barral)

**Antes de desechar los materiales de embalaje, asegúrese de haber extraído todas las piezas.**

<b>Cómo hacer un pedido de piezas</b>
<p>Al hacer un pedido de piezas de repuesto, proporcione siempre la siguiente información:</p> <ul style="list-style-type: none"> <li>• Número de modelo del ventilador</li> <li>• Número de pieza</li> <li>• Descripción de la pieza</li> <li>• Código de fecha</li> </ul> <p>Póngase en <a href="mailto:techsupport@fanimation.com">techsupport@fanimation.com</a> o al 1-888-567-2055 para obtener las piezas de repuesto.</p>

**PC/DC™ L**  
**Modelo N.º FPD7619\*\***  
**Ilustración del despiece**



**NOTA:** La ilustración que se muestra no está hecha a escala y su configuración real y/o terminación puede variar. Los productos / piezas están sujetos a cambios sin previo aviso.

---

## Mantenimiento

El único mantenimiento necesario para el ventilador de techo es una limpieza periódica.

Al llevar a cabo la limpieza, use sólo un cepillo suave o un paño sin pelusas, para evitar rayar el acabado.

No se requieren agentes abrasivos de limpieza; los mismos deben evitarse para prevenir daños en el acabado.

### **PRECAUCIÓN**

**No utilice solventes para limpiar el ventilador de techo. Podrían dañar el motor o las aspas y ocasionar posibles descargas eléctricas.**

### **ATTENTION**

**N'utilisez pas d'eau pour nettoyer votre ventilateur de plafond. Cela pourrait endommager le moteur ou la finition, et créer une possibilité d'électrocution.**

---

## Limpieza de las aspas

Se recomienda limpiar el polvo de las aspas periódicamente. Lo mejor es utilizar un plumero.

Evite usar agua, productos de limpieza o trapos ásperos, que pueden combar o dañar las aspas.

## Solución de problemas

### **ADVERTENCIA**

Para su propia seguridad, desconecte la electricidad de la caja de fusibles o disyuntor antes de solucionar problemas en su ventilador.

### **AVERTISSEMENT**

Pour votre sécurité, placez le coffret à fusibles ou le disjoncteur hors tension avant de tenter d'identifier tout problème pouvant affecter votre ventilateur.

Problema	Causa posible	Solución sugerida
<b>1. EL VENTILADOR NO ARRANCA.</b>	<ol style="list-style-type: none"> <li>1. El fusible o el disyuntor están fundidos.</li> <li>2. Las conexiones eléctricas del ventilador o del interruptor en la caja del interruptor están flojas.</li> <li>3. El conmutador inversor se encuentra en posición neutra.</li> </ol>	<ol style="list-style-type: none"> <li>1. Revise los fusibles del circuito principal y derivado o los disyuntores.</li> <li>2. Revise las conexiones eléctricas del ventilador y del interruptor en las cajas de los interruptores. <b>PRECAUCIÓN: Asegúrese de que el suministro principal de electricidad esté desconectado.</b> <b>ATTENTION: Assurez-vous que l'alimentation électrique principale est coupée !</b></li> <li>3. Asegúrese de que el conmutador inversor esté completamente hacia un lado.</li> </ol>
<b>2. EL VENTILADOR HACE RUIDO.</b>	<ol style="list-style-type: none"> <li>1. Las aspas no están sujetas al ventilador.</li> <li>2. Hay tornillos flojos en la caja del motor.</li> <li>3. Los conectores de cables dentro de la caja hacen ruido.</li> <li>4. Los tornillos que aseguran las aspas al buje del motor están flojos.</li> <li>5. El tornillo del soporte de la cubierta inferior está flojo.</li> </ol>	<ol style="list-style-type: none"> <li>1. Ajuste las aspas al ventilador antes de ponerlo en funcionamiento.</li> <li>2. Asegúrese de que todos los tornillos de la caja del motor estén bien ajustados (pero no en exceso).</li> <li>3. Asegúrese de que los conectores de cables en la caja del interruptor no produzcan ruido al rozar unos con otros o al rozar la pared interior de la caja del interruptor. <b>PRECAUCIÓN: Asegúrese de que el suministro principal de electricidad esté desconectado.</b> <b>ATTENTION: Assurez-vous que l'alimentation électrique principale est coupée !</b></li> <li>4. Asegúrese de que los tornillos que fijan las aspas al buje del motor del ventilador estén bien ajustados.</li> <li>5. Asegure bien los tornillos de fijación.</li> </ol>
<b>3. EL VENTILADOR OSCILA EN EXCESO.</b>	<ol style="list-style-type: none"> <li>1. El tornillo de fijación y la tuerca del soporte de barral están flojos.</li> <li>2. El tornillo de fijación en la unidad del barral/de la semiesfera está flojo.</li> <li>3. Los tornillos que aseguran los aspas al buje del motor están flojos.</li> <li>4. El soporte de suspensión o la caja de distribución eléctrica del techo no están bien asegurados.</li> </ol>	<ol style="list-style-type: none"> <li>1. Ajuste bien los dos tornillos de fijación y las tuercas en el soporte de barral.</li> <li>2. Ajuste el tornillo de fijación en la unidad del barral/de la semiesfera.</li> <li>3. Asegúrese de que los tornillos que fijan las aspas al buje del motor del ventilador estén bien ajustados.</li> <li>4. Ajuste los tornillos del soporte de suspensión de la caja de distribución eléctrica y asegúrela.</li> </ol>
<b>4. NO HAY SUFICIENTE MOVIMIENTO DE AIRE.</b>		<ol style="list-style-type: none"> <li>1. Si es posible, considere el uso de un barral más largo. Por ejemplo (no incluido, usted puede comprar el tiempo de la vara hacia abajo <a href="http://fanimation.com">fanimation.com</a>).</li> </ol>



10983 Bennett Parkway  
Zionsville, IN 46077  
Llame sin cargo al (888) 567-2055  
FAX (866) 482-5215  
Desde fuera de los EE.UU., llame al (317) 733-4113  
Visite nuestro sitio Web en [www.fanimation.com](http://www.fanimation.com)

2022/06 V.01  
Copyright 2022 Fanimation