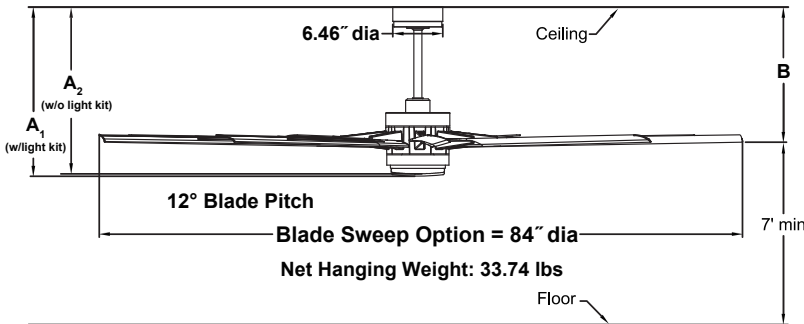


ODYN™ 84

FPD8159
84" Ceiling Fan**



	A ₁	A ₂	B
Fan w/12" downrod	22.63"	22.32"	18.83"
Fan w/18" downrod	28.63"	28.32"	24.83"
Fan w/24" downrod	34.63"	34.32"	30.83"
Fan w/36" downrod	46.63"	46.32"	42.83"
Fan w/48" downrod	58.63"	58.32"	54.83"
Fan w/60" downrod	70.63"	70.32"	66.83"
Fan w/72" downrod	82.63"	82.32"	78.83"

INSTALLATION REQUIREMENTS:

Fan must be attached to a securely anchored electrical junction box capable of withstanding a load of at least 35 lbs.

ELECTRICAL REQUIREMENTS:

Requires a grounded electrical supply line of 120 volts AC, 60 Hz, 15 amp circuit.

MOTOR SPECS:

DC135L sensorless DC motor is designed for optimal performance with this fan.

BLADES:

A set of nine 38" all weather composite blades is included.

LIGHTING OPTIONS:

One 18-watt CCT LED (3000K/4000K/5000K) included.

CONTROL OPTIONS:

A WiFi receiver and TR305 hand-held remote control are included. Push button remote control with 16 fan speeds, fresh air, reverse, ON/OFF dimmer light levels, CCT Select (correlated color temperature selection), fan/light timer, home away, safe exit and off button. Visit the Apple APP Store or Google Play Store to download the free fanSync WiFi APP and create your Fanimation fanSync account. Optional TW306 wall control is available — sold separately. Instructions are provide with each control.

DOWNROD OPTIONS:

Fan comes with 1" dia. x 12" long wet-location downrod (DR1SS-12). Optional wet-location downrods are available in 12", 18", 24", 36", 48", 60", and 72" lengths. A downrod coupler is available for installations requiring a downrod longer than 72". Fan can be mounted on a sloped ceiling up to 27°. Most sloped ceiling installations require a standard 24" downrod or longer downrod. Optional sloped ceiling ball kits (SCB1-52) are available for slope angles greater than 27° and up to 42°. Optional close-to-ceiling kit is available as well — sold separately. Call technical support for more information.

LOCATION USE:

Fan is rated for dry, damp and wet locations. This fan is for room over 400 sq ft.

Available Finishes	
BNWBN	Brushed Nickel with Brushed Nickel Blade and Opal Frosted Glass/Steel Cap
BNWBL	Brushed Nickel with Black Blade and Opal Frosted Glass/Steel Cap
BLW	Black with Black Blade and Opal Frosted Glass/Steel Cap
DZW	Dark Bronze with Dark Walnut Blade and Opal Frosted Glass/Steel Cap
GRW	Matte Greige with Weathered Wood Blade and Opal Frosted Glass/Steel Cap
MWW	Matte White with Matte White Blade and Opal Frosted Glass/Steel Cap

Airflow / Energy Efficiency Info (120V)					
Fan Speed	Max RPM	CFM	CFM / Watts	Amps	Watts
High (16 th)	70	11363	328	0.49	35
Med (9 th)	51	8272	648	0.20	13
Low (1 th)	30	4694	1179	0.07	4

Energy Guide FTC			
Power (W _{ave})	Total Air Delivery (CFM _{ave})	Estimated Yearly Energy Cost (\$)	Ceiling Fan Efficiency (CFM/W)
23	7949	7	339

Light Bulb Information (120V)					
Bulb Type	Watts	QTY	Lumens Amount	Color Temp	CRI
LED	18	1	1600	3000/4000/5000	90%